

JXZZ32-5. 18HP

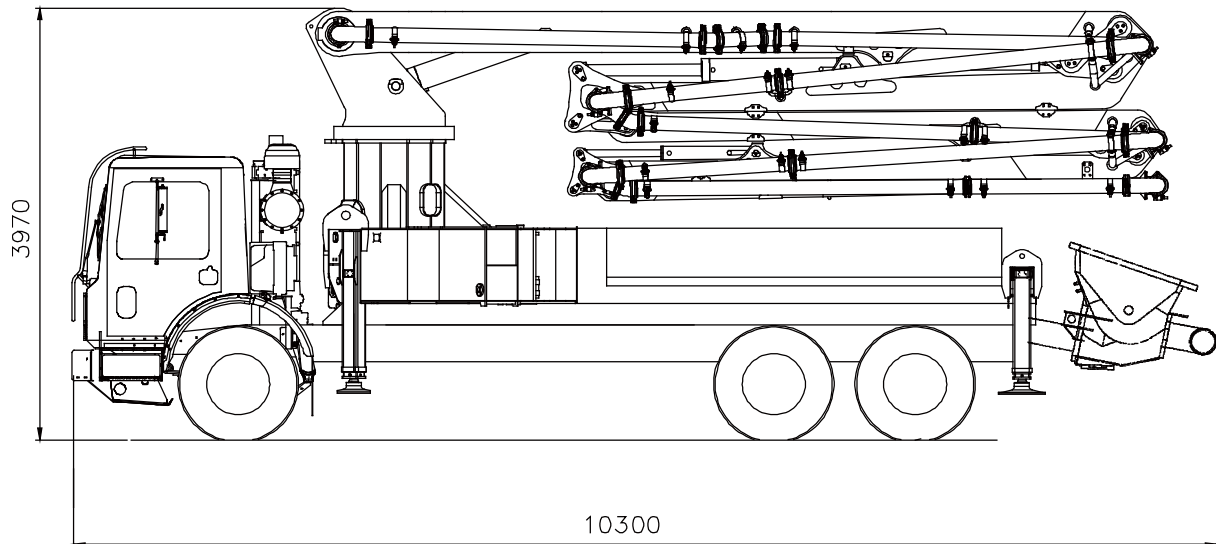
DATA SHEET

TRUCK MOUNTED BOOM PUMP



32M Truck Mounted Boom Pump with 177m³/h Output & ZZ Type Boom Design

The drawing is reference only, optional specification would require additional axes / cost / examination



* Remark : Standard specification with MACK 6X4. Dimension depends on truck specification.

TECHNICAL SPECIFICATION

GENERAL SPECIFICATION		PUMP SPECIFICATION			BOOM SPECIFICATION	
Delivery Line	DN 125 / 5"	Output	Rod	177 m ³ /h	Number of booms	5 Sections
Radio remote	Proportional control		Piston	120 m ³ /h	Folding Type	ZZ
Wear plate / Ring	Tungsten Carbide	Pressure	Rod	87 Bar	Vertical Height	31.4 m
Water Pump	20 Bar		Piston	130 Bar	Horizontal Reach	26.9 m
Water Tank	500 Liter	Delivery Cylinder (Hard-chromed)	Φ230 mm		Unfolding height	5.65 m
Auto Lubrication	Hyd. grease, Hopper	Stroke Length	2100 mm		End-Hose Length	3.0 m
		S-Valve	8" X 7"			
		Main Oil Pump	Rexroth Hydromatic			
		System Pressure	350 Bar			
		Switching Type	Hydraulic			
		Hopper Capacity	600 Liter			

* All technical data are theoretical values and Specification are subject to change without prior notice.
* www.junjin.com

JXZZ32-5.18HP

DATA SHEET

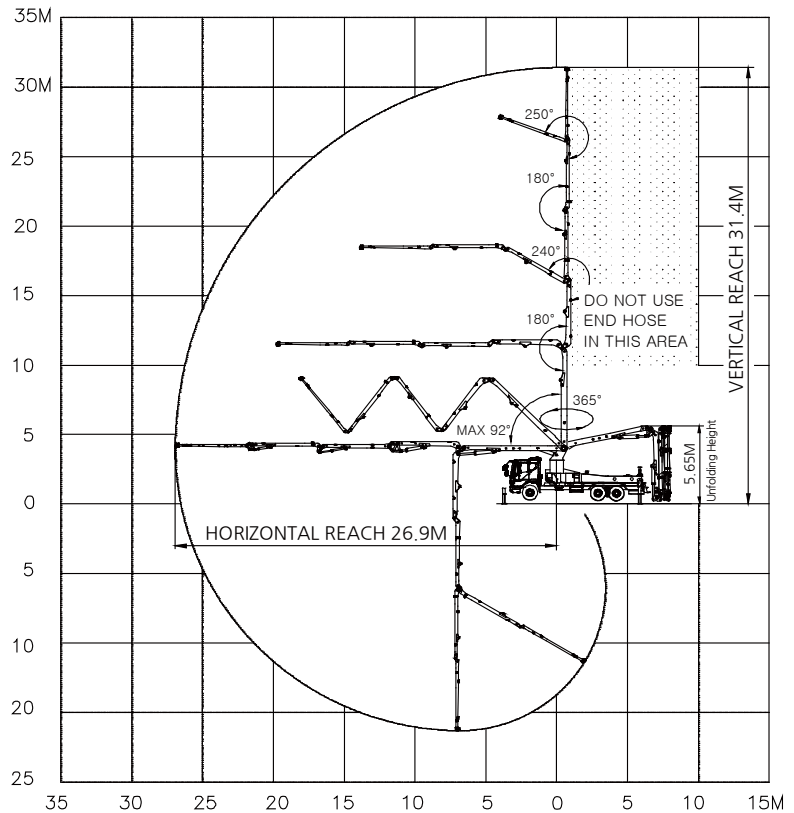
TRUCK MOUNTED BOOM PUMP



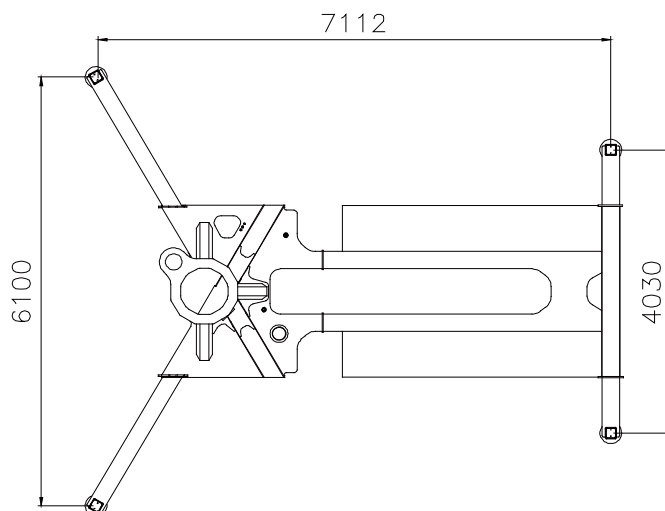
32M Truck Mounted Boom Pump with 177m³/h Output & ZZ Type Boom Design

The drawing is reference only, optional specification would require additional axes / cost / examination

BOOM WORKING DIAGRAM



OUTRIGGER SPAN



* All technical data are theoretical values and Specification are subject to change without prior notice.
* www.junjjin.com