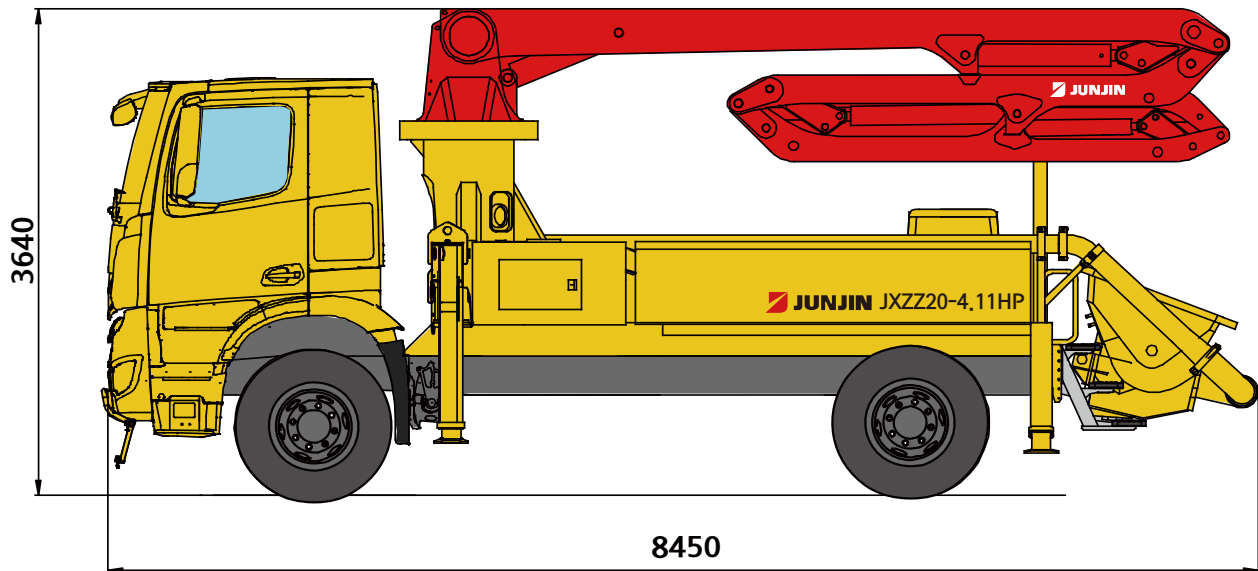


JXZZ20-4.11HP

DATA SHEET TRUCK MOUNTED BOOM PUMP



20M Truck Mounted Boom Pump with 109m³/h Output ZZ Type Boom Design



* Remark : Standard specification with BENZ 4X2. Dimension depends on truck specification.

TECHNICAL SPECIFICATION

GENERAL SPECIFICATION		PUMP SPECIFICATION			BOOM SPECIFICATION	
Delivery Line	DN 125 / 5"	Output	Rod	109 m ³ /h	Number of booms	4 Sections
Radio remote	Proportional control		Piston	73 m ³ /h	Folding Type	ZZ
Wear plate / Ring	Tungsten Carbide	Pressure	Rod	54 Bar	Vertical Height	20 m
Water Pump	20 Bar		Piston	80 Bar	Horizontal Reach	16.4 m
Water Tank	500 Liter	Delivery Cylinder (Hard-chromed)	Φ230 mm		Unfolding height	3.92 m
Auto Lubrication	Hyd. grease, Hopper	Stroke Length	1400 mm		End-Hose Length	3.0 m
		S-Valve	S2018			
		System Pressure	350 Bar			
		Switching Type	Hydraulic			
		Hopper Capacity	450 Liter			

* All technical data are theoretical values and Specification are subject to change without prior notice.
* www.junj.in.com

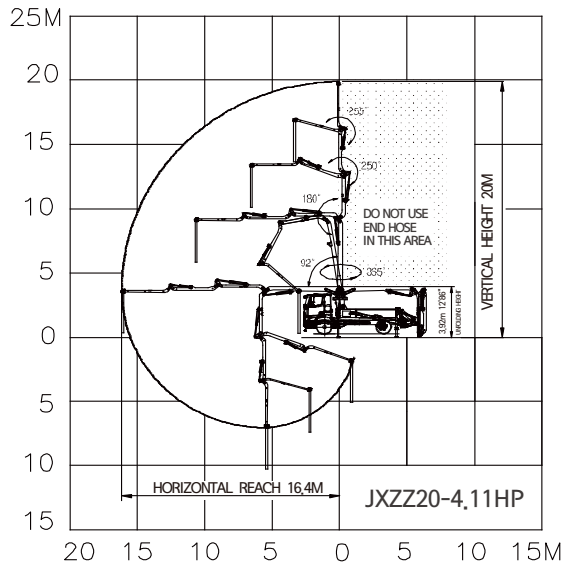
JXZZ20-4.11HP

DATA SHEET TRUCK MOUNTED BOOM PUMP

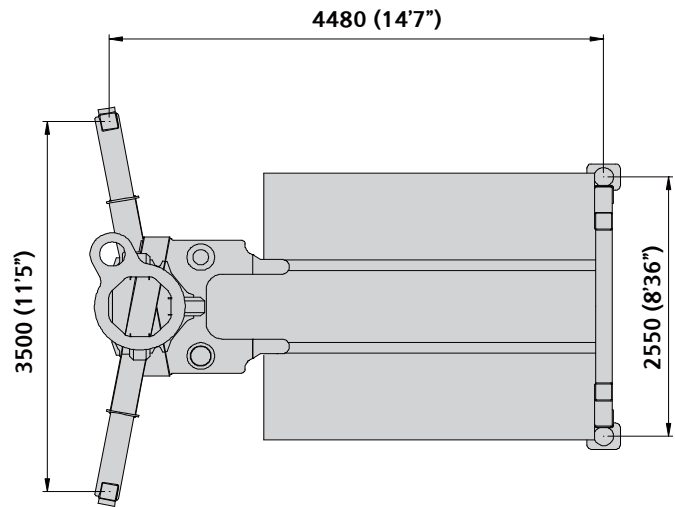


20M Truck Mounted Boom Pump with 109m³/h Output ZZ Type Boom Design

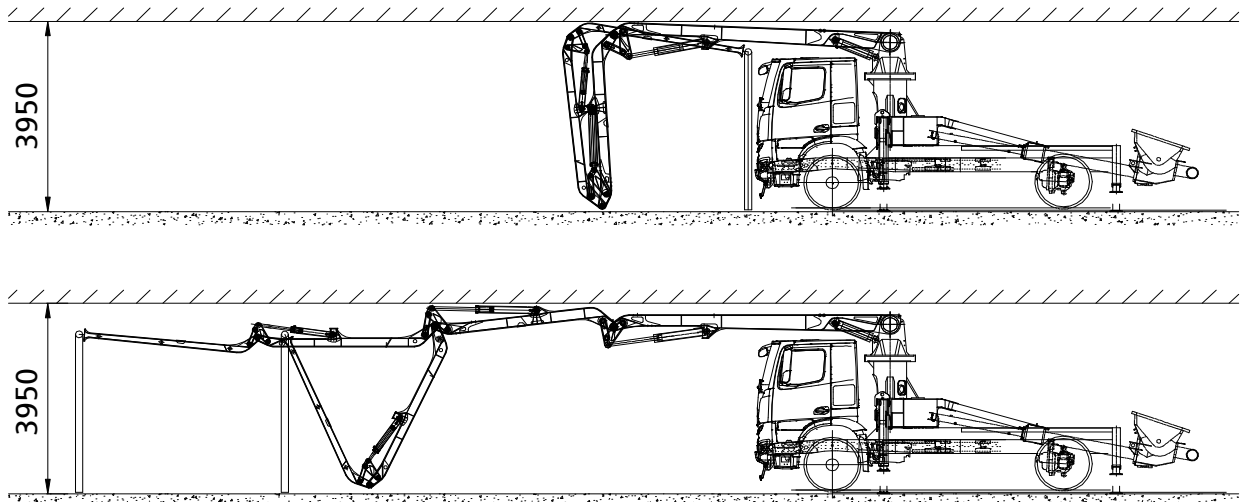
BOOM WORKING DIAGRAM



OUTRIGGER SPAN



WORKING POSITION



* All technical data are theoretical values and Specification are subject to change without prior notice.
* www.junjin.com