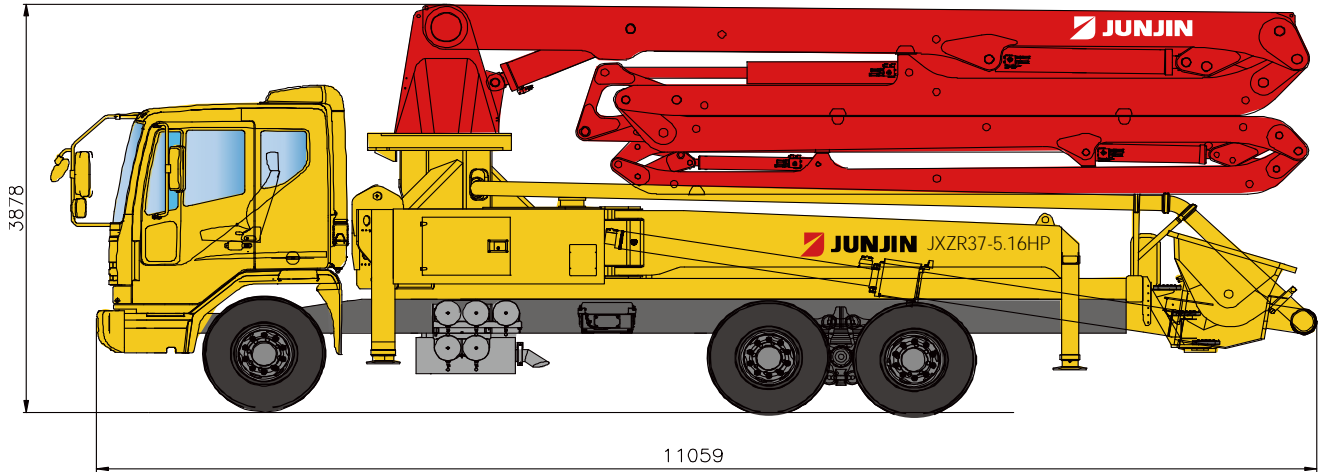


JXZR37-5.16HP

DATA SHEET TRUCK MOUNTED BOOM PUMP



37M Truck Mounted Boom Pump with 158m³/h Output Z & R Type Boom Design



* Remark : Standard specification with DAEWOO 16TON. Dimension depends on truck specification.

TECHNICAL SPECIFICATION

GENERAL SPECIFICATION		PUMP SPECIFICATION			BOOM SPECIFICATION	
Delivery Line	DN 125 / 5"	Output	Rod	158 m ³ /h	Number of booms	5 Sections
Radio remote	Proportional control		Piston	98 m ³ /h	Folding Type	Z & R TYPE
Wear plate / Ring	Tungsten Carbide	Pressure	Rod	72 Bar	Vertical Height	36.2 m
Water Pump	20 Bar		Piston	115Bar	Horizontal Reach	32.3 m
Water Tank	600 Liter	Delivery Cylinder (Hard-chromed)	Φ230 mm		Unfolding height	7.4 m
Auto Lubrication	Hyd. grease, Hopper	Stroke Length	2100 mm		End-Hose Length	3.0 m
		S-Valve	S2018		1st Section	7.71 m
		System Pressure	350 Bar		2nd Section	6.08 m
		Switching Type	Hydraulic		3rd Section	6.09 m
		Hopper Capacity	600 Liter		4th Section	6.16 m
					5th Section	6.26 m

* All technical data are theoretical values and Specification are subject to change without prior notice.
 * www.junjin.com

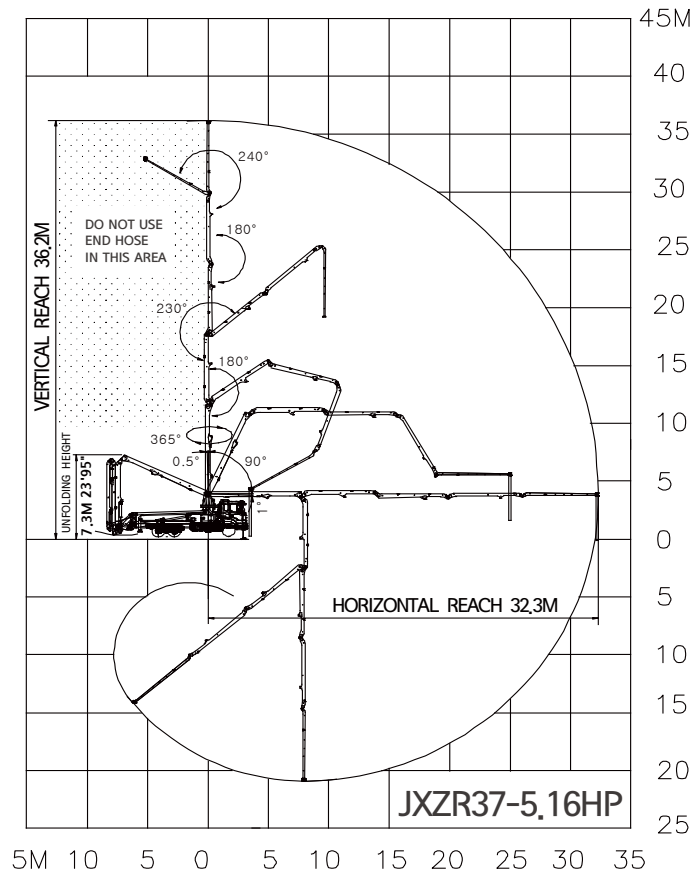
JXZR37-5.16HP

DATA SHEET TRUCK MOUNTED BOOM PUMP

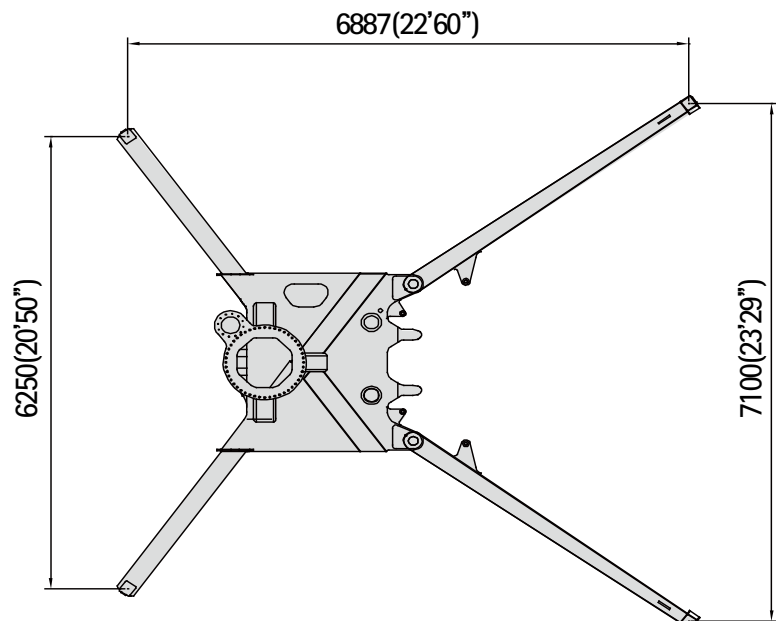


37M Truck Mounted Boom Pump with 158m³/h Output Z & R Type Boom Design

BOOM WORKING DIAGRAM



OUTRIGGER SPAN



* All technical data are theoretical values and Specification are subject to change without prior notice.
* www.junjin.com