

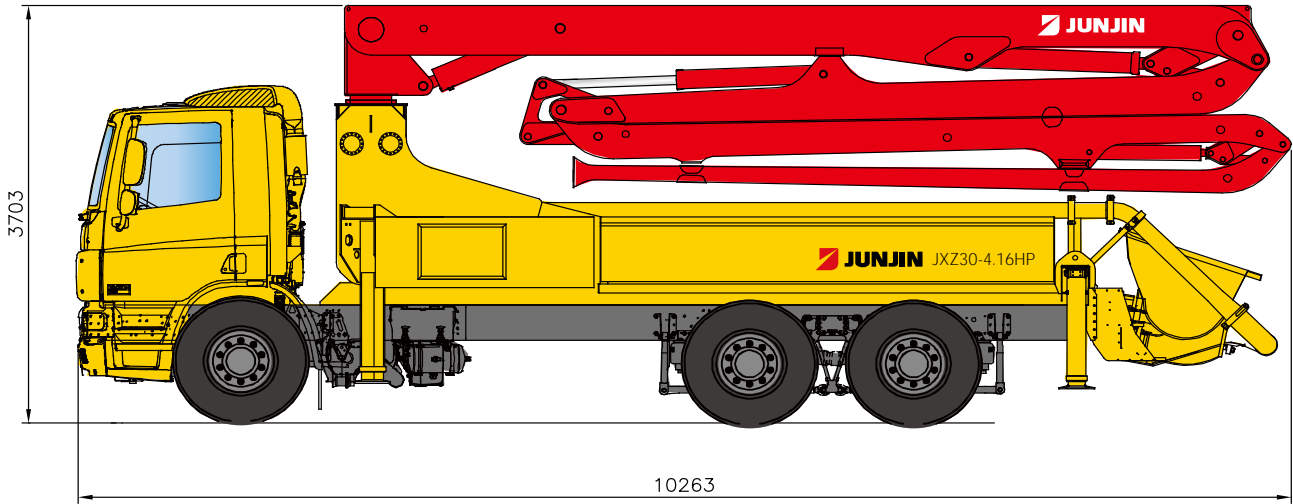
JXZ30-4.16HP

DATA SHEET

TRUCK MOUNTED BOOM PUMP



30M Truck Mounted Boom Pump with 160m³/h Output Z Type Boom Design



* Remark : Standard specification with DAF 6X4. Dimension depends on truck specification.

TECHNICAL SPECIFICATION

| GENERAL SPECIFICATION | | PUMP SPECIFICATION | | | BOOM SPECIFICATION | |
|-----------------------|----------------------|----------------------------------|--------------------|-----------------------|--------------------|------------|
| Delivery Line | DN 125 / 5" | Output | Rod | 158 m ³ /h | Number of booms | 4 Sections |
| Radio remote | Proportional control | | Piston | 98 m ³ /h | Folding Type | Z TYPE |
| Wear plate / Ring | Tungsten Carbide | Pressure | Rod | 72 Bar | Vertical Height | 29.5 m |
| Water Pump | 20 Bar | | Piston | 115 Bar | Horizontal Reach | 25.7 m |
| Water Tank | 500 Liter | Delivery Cylinder (Hard-chromed) | Φ230 mm | | Unfolding height | 6.85 m |
| Auto Lubrication | Hyd. grease, Hopper | Stroke Length | 2100 mm | | End-Hose Length | 3.0 m |
| | | S - Valve | 8" X 7" | | 1st Section | 7.5 m |
| | | Main Oil Pump | Rexroth Hydromatic | | 2nd Section | 5.9 m |
| | | System Pressure | 350 Bar | | 3rd Section | 6.1 m |
| | | Switching Type | Hydraulic | | 4th Section | 6.2 m |
| | | Hopper Capacity | 600 Liter | | | |

* All technical data are theoretical values and Specification are subject to change without prior notice.
 * www.junjn.com

JXZ30-4.16HP

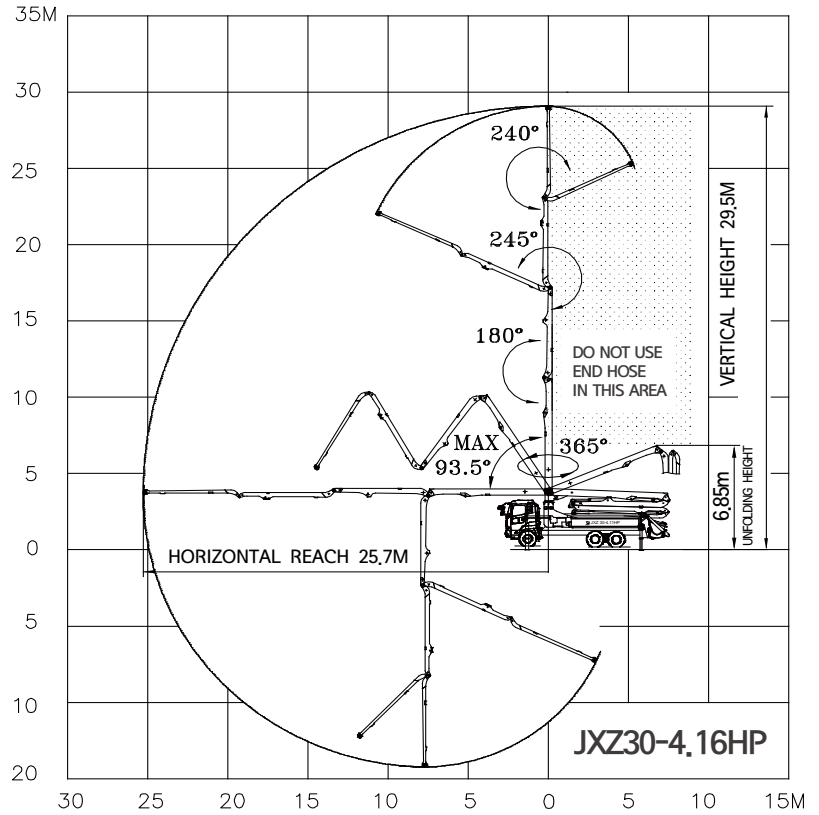
DATA SHEET

TRUCK MOUNTED BOOM PUMP

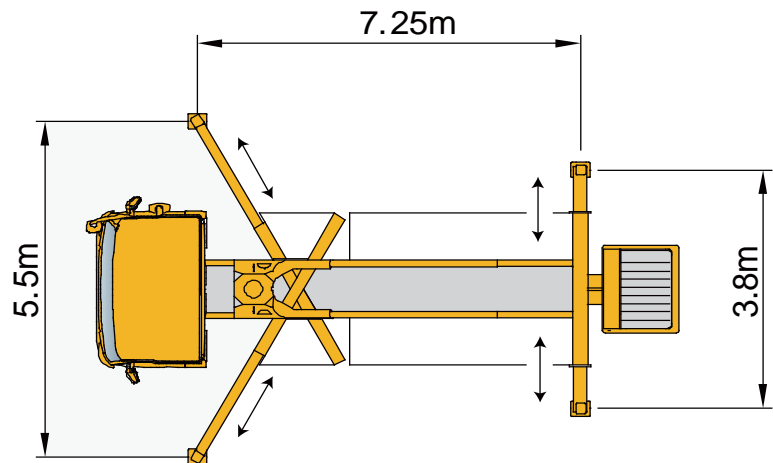


30M Truck Mounted Boom Pump with 160m³/h Output Z Type Boom Design

BOOM WORKING DIAGRAM



OUTRIGGER SPAN



* All technical data are theoretical values and Specification are subject to change without prior notice.
 * www.junjin.com