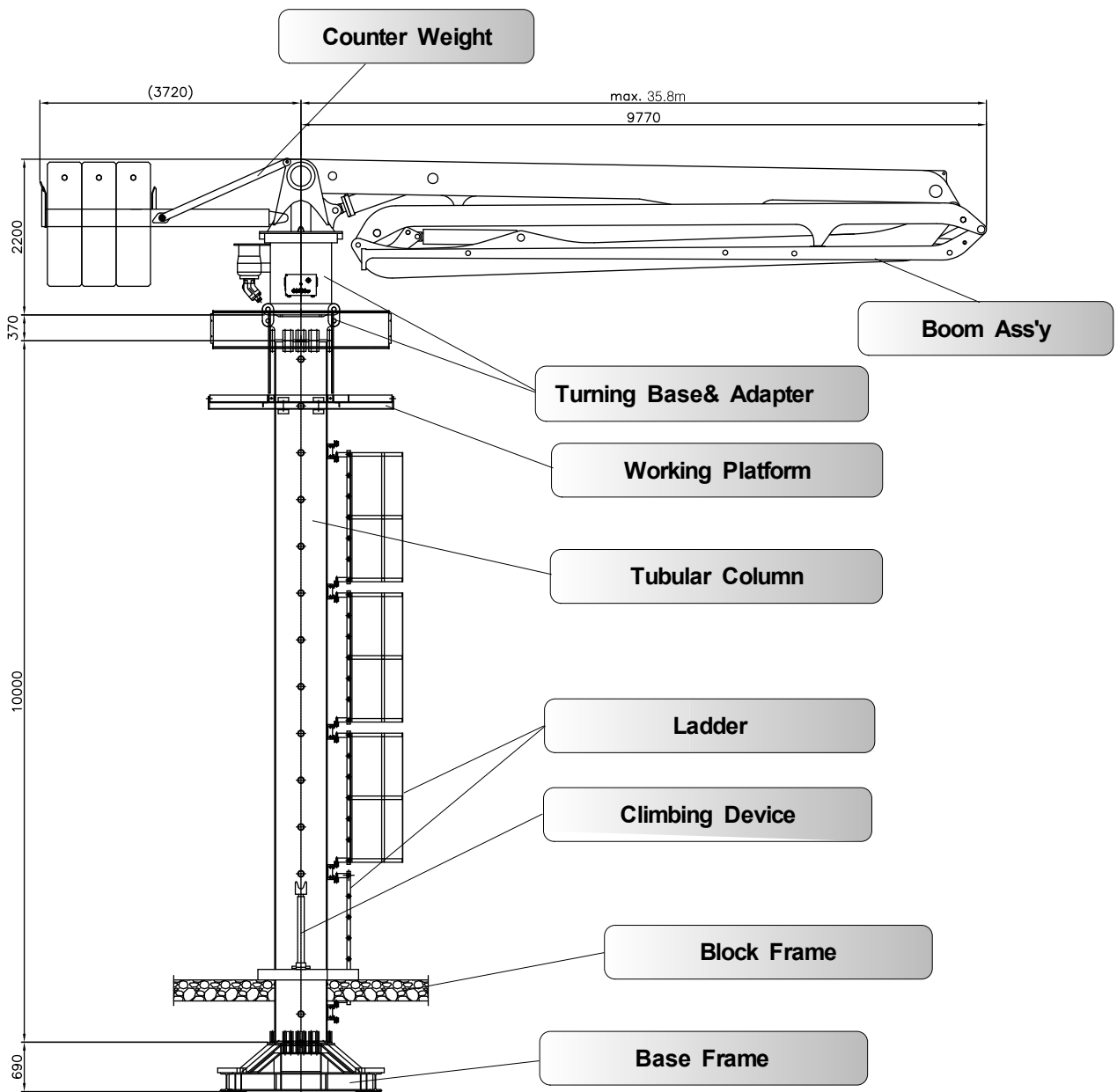


JB-M36H

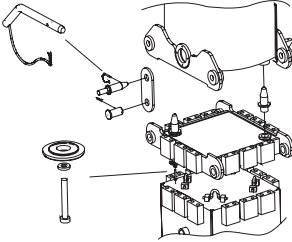
Placing System on Tubular Column Type
36M 4 Sections R & Fold Designed Boom



• All technical data are theoretical values and Specification are subject to change without prior notice.

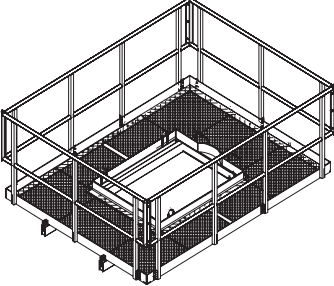
■ Standard Delivery Scope

Turning Base & Adapter



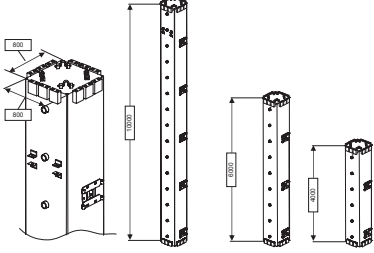
- Turing Base: 1 Set
- Adapter: 1 Set

Working Platform



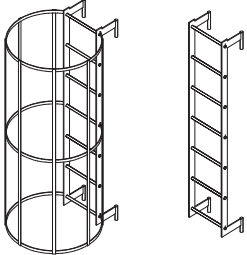
- Safety platform: 1 Set

Tubular Column



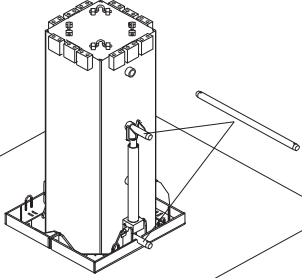
- 10m Tubular Column: 2 EA
- 4m, 6m Tubular Column: options

Ladder



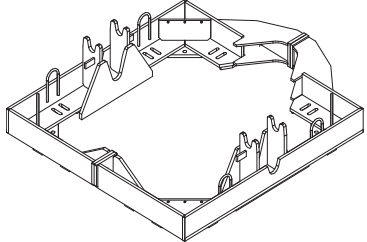
- Ladder with rear protection: 3 EA
- Ladder without protection: 1 EA

Climbing Device



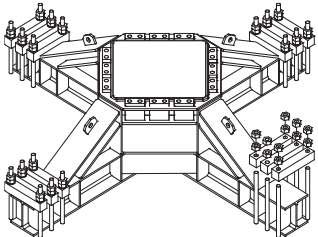
- Climbing Device: 1 Set

Block Frame



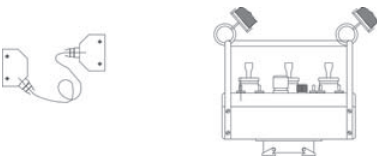
- Block Frame: 3 EA

Base Frame



- Base Frame: 1 EA

Remote Control



- Cable Remote Control: 1 Set

■ Boom Specification / Technical Specification

Boom Design		R & Fold
Horizontal Reach		35.8 m
Vertical Reach		35.8 m
Reach Depth		32.7 m
Boom Length	1st Section	9.3 m
	2nd Section	8.5 m
	3rd Section	8.9 m
	4th Section	9.1 m
End Hose Length		4.0 m
Boom Weight		6,028kg

Boom Articulation	1st Section	92 °
	2nd Section	180 °
	3rd Section	180 °
	4th Section	245 °
Rotation		365 °
Delivery Line		DN 125mm (5")
Electric System		AC380V
Control Systems		Radio-Cable-Manual
Electric Motor		15kW

■ Working Diagram

