



Ref no. JDP29-001

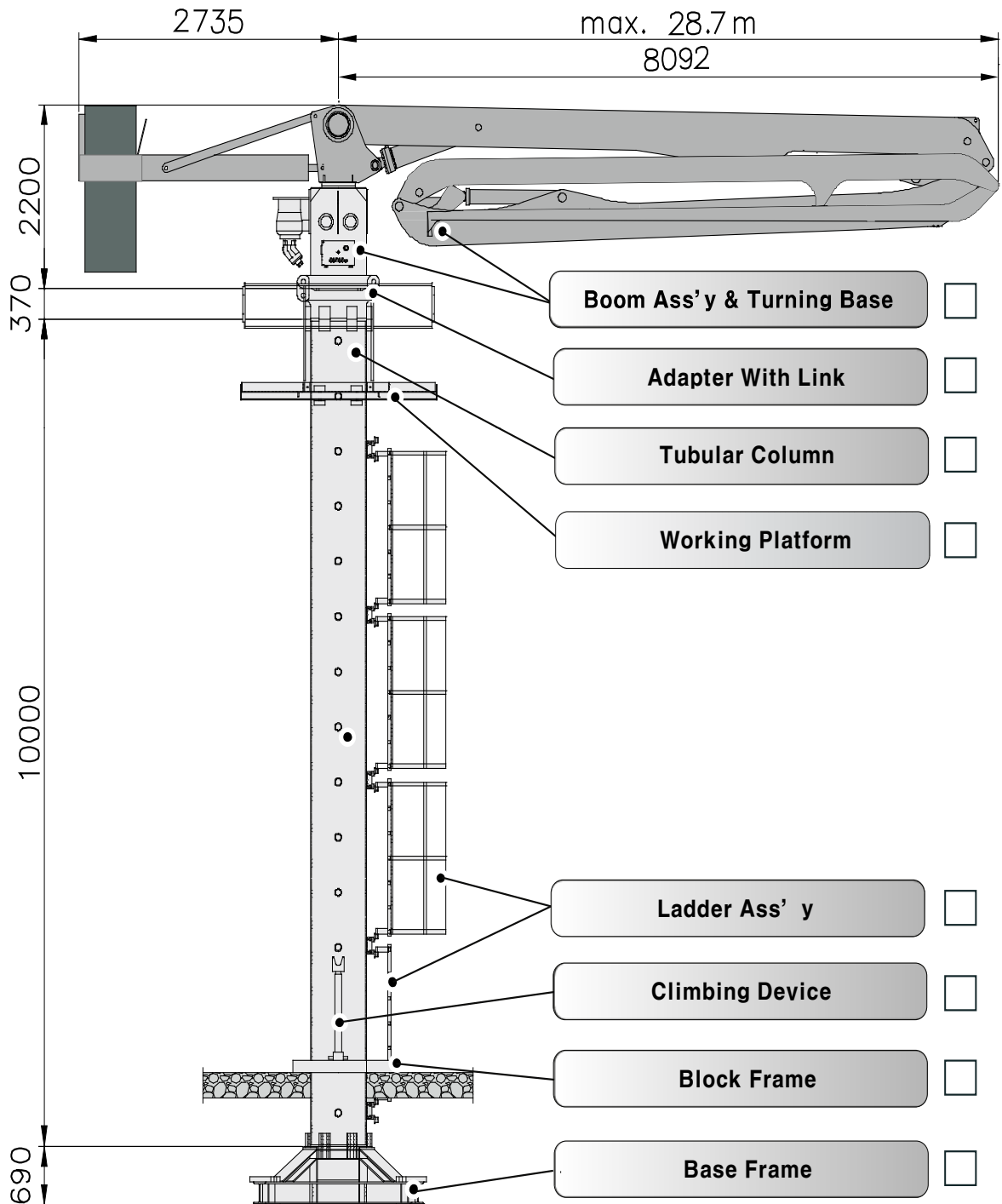
# DATA SHEET

PLACING BOOM



## JB-M29H

Placing System on Tubular column Type  
29M 4 Sections R & Fold designed Boom



\* All technical data are theoretical values and Specification are subject to change without prior notice.  
 \* www.junjin.com



Ref no. JDP29-001

# DATA SHEET

PLACING BOOM



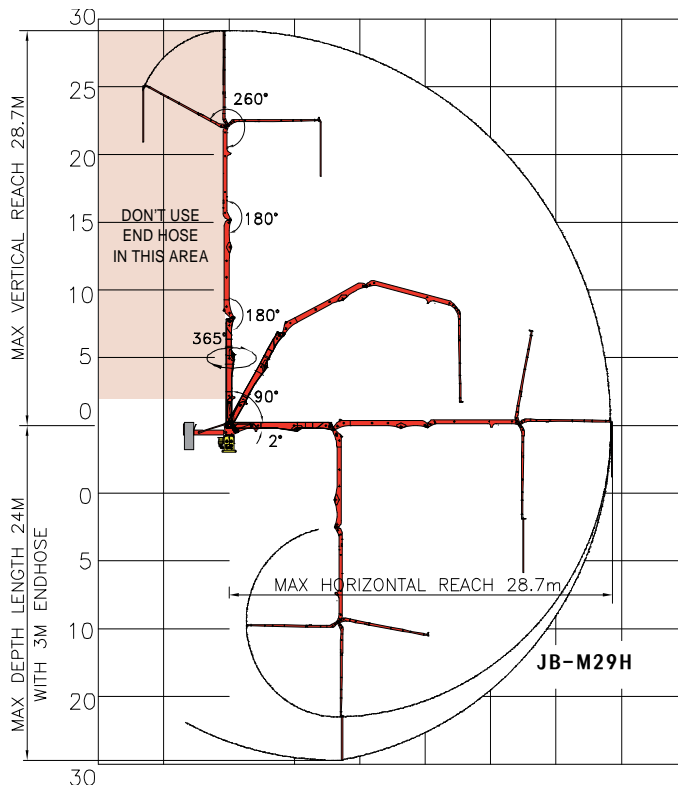
## JB-M29H

Placing System on Tubular column Type  
29M 4 Sections R & Fold designed Boom

### ■ Boom Specification / Technical Specification

Boom Design		R&Fold	Boom Articulation	1st Section	-2°~90°
Horizontal Reach		28.7m		2nd Section	180°
Vertical Reach		28.7m		3rd Section	180°
Reach Depth		24.0m		4th Section	260°
Boom Length	1st Section	8.0m	Rotation		365°
	2nd Section	7.0m	Delivery Line		DN 125mm(5")
	3rd Section	7.0m	Electric Power		AC380V / 60HZ
	4th Section	6.7m	Control Systems		Radio-Cable-Manual
End Hose Length		3.0m	Electric Motor		15kW

### ■ Working Diagram



\* All technical data are theoretical values and Specification are subject to change without prior notice.  
\* [www.junjin.com](http://www.junjin.com)



Ref no. JDP29-001

# DATA SHEET

PLACING BOOM

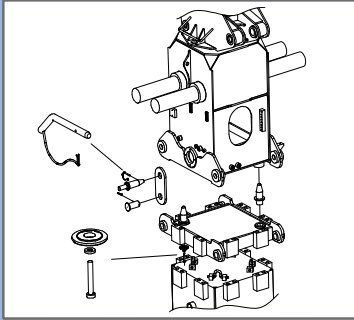


## JB-M29H

Placing System on Tubular column Type  
29M 4 Sections R & Fold designed Boom

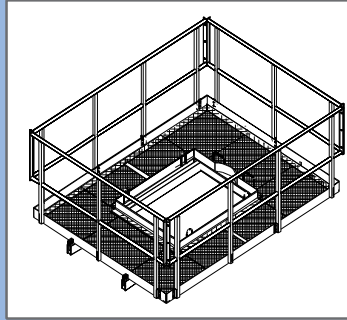
### Standard delivery Scope

#### Turning Base & Adapter



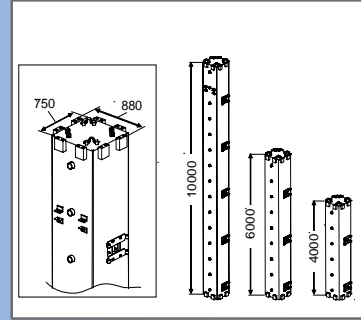
- Turing Base:1Set
- Adapter:1Set

#### Working Platform



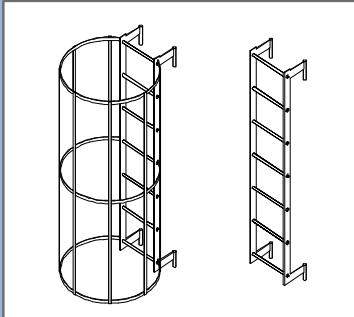
- Safety platform : 1Set

#### Tubular Column



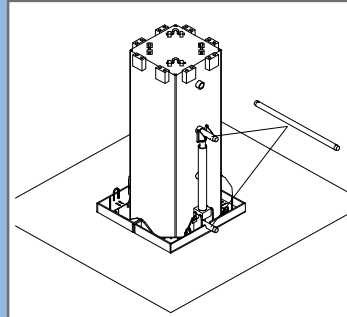
- 10m Tubular Column:2EA
- 4m,6m Tubular Column:options

#### Ladder



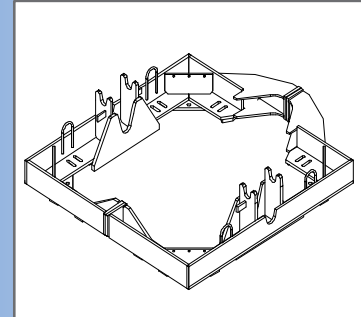
- Ladder with rear protection:3EA
- Ladder without protection:1EA

#### Climbing Device



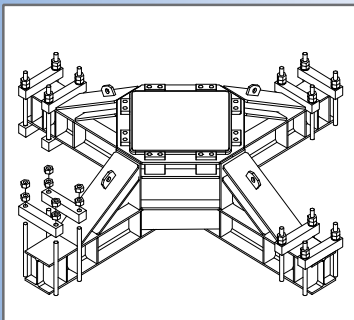
- Climbing Device:1Set

#### Block Frame



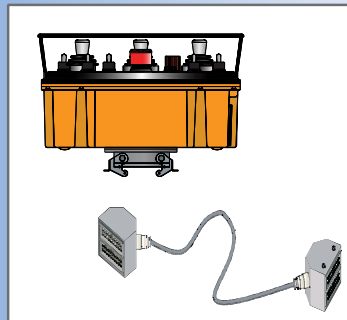
- Block Frame:3EA

#### Base Frame



- Base Frame:1EA

#### Remote Control



- Cable Remote Control:1Set

\* All technical data are theoretical values and Specification are subject to change without prior notice.  
\* [www.junjin.com](http://www.junjin.com)



Ref no. JDP29-001

# DATA SHEET

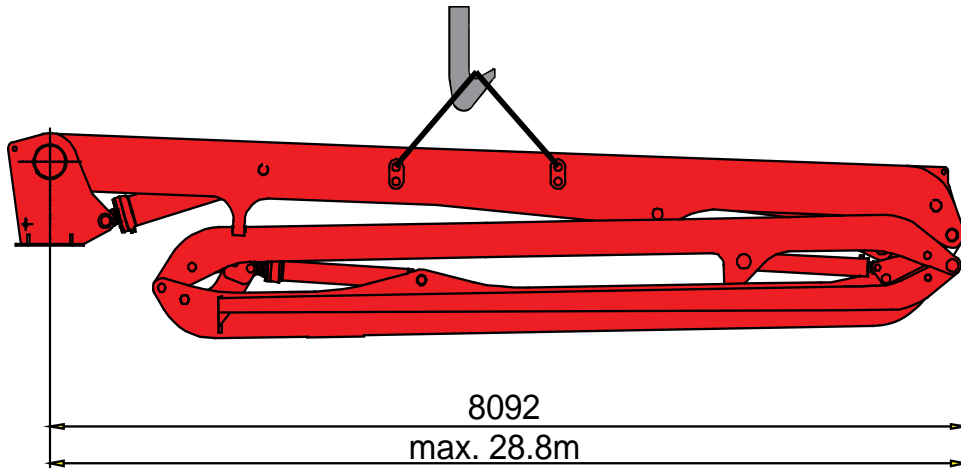
PLACING BOOM



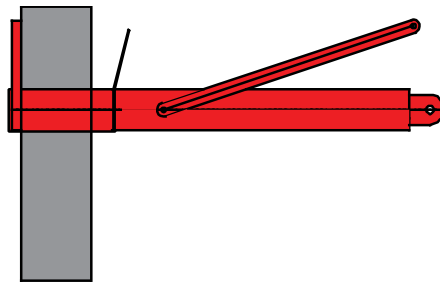
## JB-M29H

Placing System on Tubular column Type  
29M 4 Sections R & Fold designed Boom

Boom ass'y : 4880Kg



Counter Jib Ass'y = 2,538Kg



- Ballast bearer : 438 kg
- Ballast weight : 2100 x 1 = 2100kg

\* All technical data are theoretical values and Specification are subject to change without prior notice.  
\* [www.junjin.com](http://www.junjin.com)



Ref no. JDP29-001

# DATA SHEET

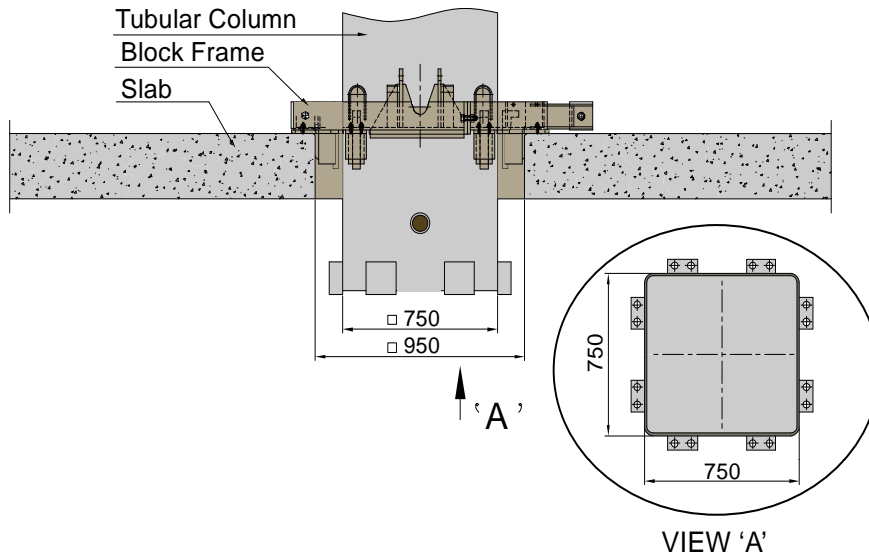
PLACING BOOM



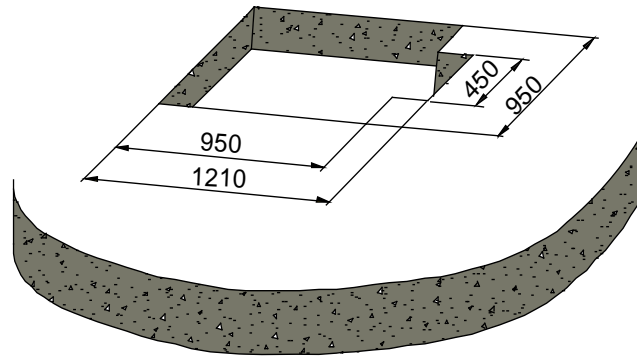
## JB-M29H

Placing System on Tubular column Type  
29M 4 Sections R & Fold designed Boom

### How to support on Slab



### Slab Open Hole Size



\* All technical data are theoretical values and Specification are subject to change without prior notice.  
\* [www.junjjin.com](http://www.junjjin.com)



Ref no. JDP29-001

# DATA SHEET

PLACING BOOM

**JB-M29H****Placing System on Tubular column Type  
29M 4 Sections R & Fold designed Boom****WEIGHT LIST**

NO.	NAME	EA/SET	KG/EA	TOTAL KG
1	BOOM ASS'Y	1	5130	5130
2	COUNTER JIB ASS'Y WEIGHT			2538
1)	BALLAST BEARER	1	438	438
2)	BALLAST WEIGHT	1	2100	2100
3	TURNING BASE ASS'Y	1	2320	2320
4	TUBULAR COLUMN (10m)	2	3356	6712
5	PLATFORM ASS'Y	1		358
1)	PLATFORM	1	250	250
2)	SUPPORT FOR PLATFORM	2	20	40
3)	HANDLE RAIL (1)	2	18	36
4)	HANDLE RAIL (2)	2	16	32
6	LADDER ELEMENT SET	1		259
1)	LADDER (1)	3	44	132
2)	LADDER (2)	1	27	27
3)	LADDER BRACKET	10	10	100
7	BLOCK FRAME	3	335	1005
8	BASE FRAME	1	1420	1420
9	PIN ASS'Y FOR PLACING BOOM	1		45
1)	PIN (1) (LINK)	4	3.5	14
2)	PIN (2) (LINK)	4	4.5	18
3)	PIN (3) (ADAPTER)	2	4.5	9
4)	CLIP (LINK)	4	0.5	2
5)	COVER (ADAPTER)	2	1	2
10	PIN FOR LIFTING CYL	3	40	120
11	PIN FOR LADDER	10	1.8	18
12	PIN FOR PLATFORM	4	1.5	6
13	LIFTING CYL	2	70	140
14	LINK & ADAPTER	1		450
1)	ADAPTER FOR MAST	1	370	370
2)	LINK	8	10	80
				<b>20,521</b>

\* All technical data are theoretical values and Specification are subject to change without prior notice.

\* www.junjjin.com