

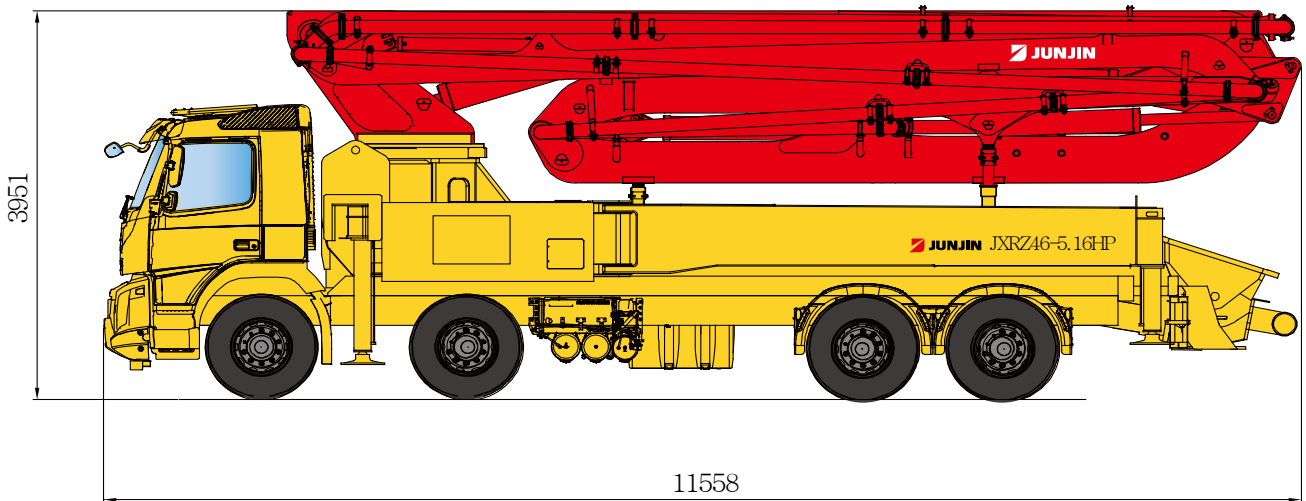
JXRZ46-5. 16HP

DATA SHEET

TRUCK MOUNTED BOOM PUMP



46M Truck Mounted Boom Pump with 158m³/h Output RZ Type Boom Design



* Remark : Standard specification with Volvo 8X4. Dimension depends on truck specification.

TECHNICAL SPECIFICATION

GENERAL SPECIFICATION		PUMP SPECIFICATION			BOOM SPECIFICATION	
Delivery Line	DN 125 / 5"	Output	Rod	158 m ³ /h	Number of booms	5 Sections
Radio remote	Proportional control		Piston	98 m ³ /h	Folding Type	R & Z TYPE
Wear plate / Ring	Tungsten Carbide	Pressure	Rod	72 Bar	Vertical Height	46 m
Water Pump	20 Bar		Piston	115Bar	Horizontal Reach	42 m
Water Tank	500 Liter	Delivery Cylinder (Hard-chromed)	Φ230 mm		Unfolding height	12.65 m
Auto Lubrication	Hyd. grease, Hopper	Stroke Length	2100 mm		End-Hose Length	4.0 m
		S - Valve	8" X 7"		1st Section	9.25 m
		Main Oil Pump	Rexroth Hydromatic		2nd Section	7.05 m
		System Pressure	350 Bar		3rd Section	6.90 m
		Switching Type	Hydraulic		4th Section	9.20 m
		Hopper Capacity	600 Liter		5th Section	9.60 m

* All technical data are theoretical values and Specification are subject to change without prior notice.
 * www.junj.in.com

JXRZ46-5.16HP

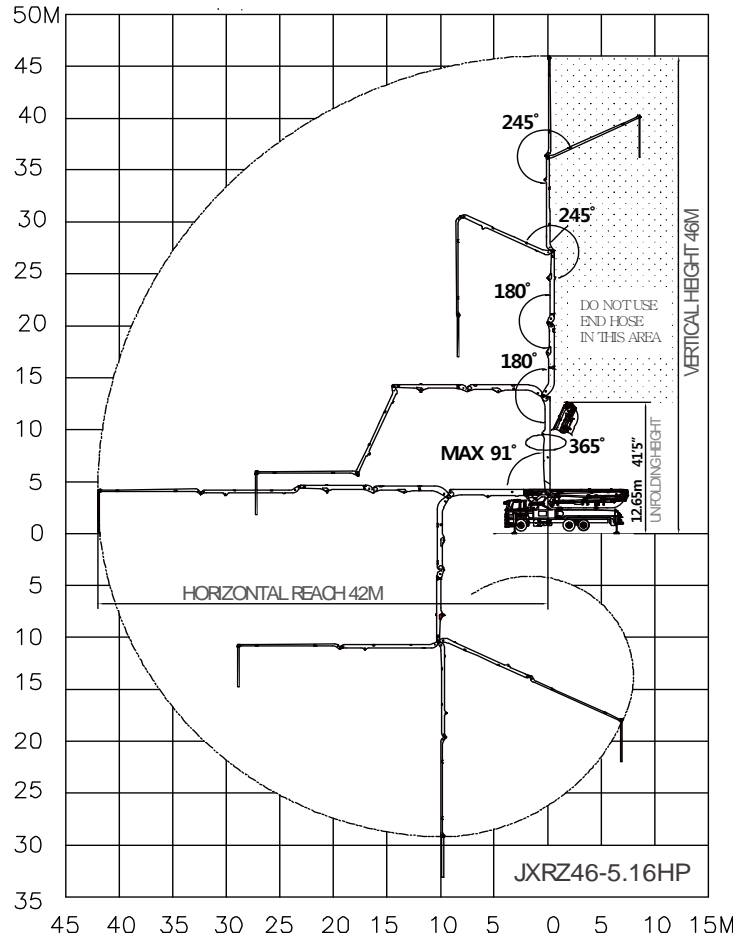
DATA SHEET

TRUCK MOUNTED BOOM PUMP

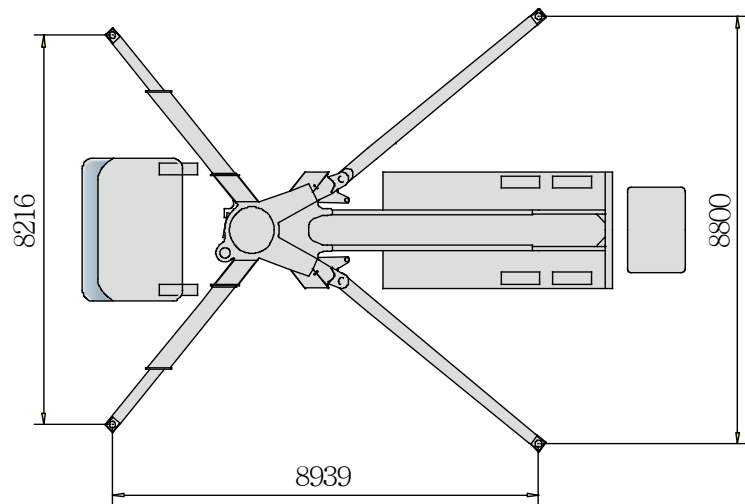


46M Truck Mounted Boom Pump with 158m³/h Output RZ Type Boom Design

BOOM WORKING DIAGRAM



OUTRIGGER SPAN



* All technical data are theoretical values and Specification are subject to change without prior notice.
 * www.junjin.com