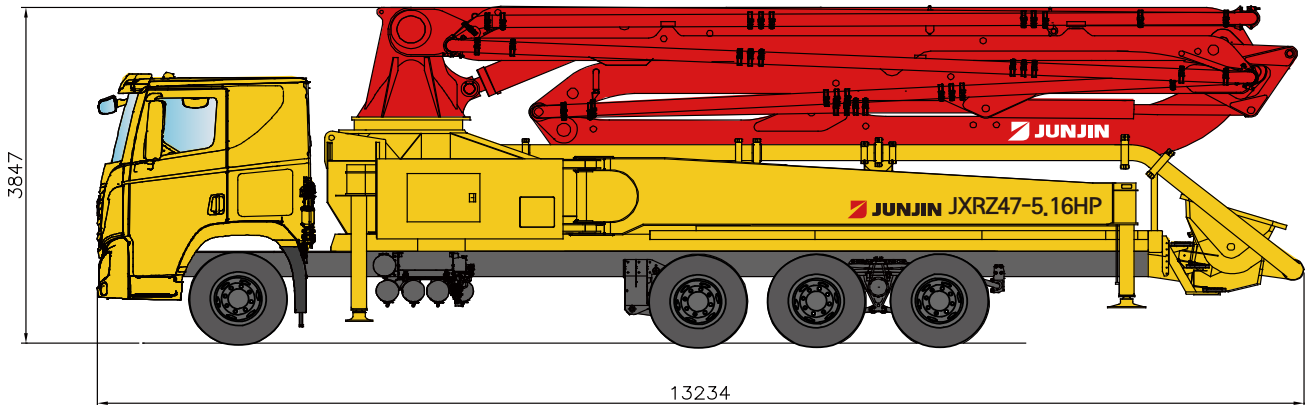


# JXRZ47-5.16HP

## DATA SHEET

TRUCK MOUNTED BOOM PUMP

47M Truck Mounted Boom Pump with 158m<sup>3</sup>/h Output Z Type Boom Design

\* Remark : Standard specification with HYUNDAI 17TON 8x4. Dimension depends on truck specification.

### TECHNICAL SPECIFICATION

GENERAL SPECIFICATION		PUMP SPECIFICATION			BOOM SPECIFICATION	
Delivery Line	DN 125 / 5"	Output	Rod	158 m <sup>3</sup> /h	Number of booms	5 Sections
Radio remote	Proportional control		Piston	98 m <sup>3</sup> /h	Folding Type	R & Z TYPE
Wear plate / Ring	Tungsten Carbide	Pressure	Rod	72 Bar	Vertical Height	46.5 m
Water Pump	20 Bar		Piston	115 Bar	Horizontal Reach	42.5 m
Water Tank	500 Liter	Delivery Cylinder (Hard-chromed)	Φ230 mm		Unfolding height	10 m
Auto Lubrication	Hyd. grease, Hopper	Stroke Length	2100 mm		End-Hose Length	4.0 m
		S - Valve	8" X 7"		1st Section	9.3 m
		Main Oil Pump	Rexroth Hydromatic		2nd Section	7.8 m
		System Pressure	350 Bar		3rd Section	7.8 m
		Switching Type	Hydraulic		4th Section	8.8 m
		Hopper Capacity	600 Liter		5th Section	8.8 m

\* All technical data are theoretical values and Specification are subject to change without prior notice.  
 \* www.junjin.com

# JXRZ47-5.16HP

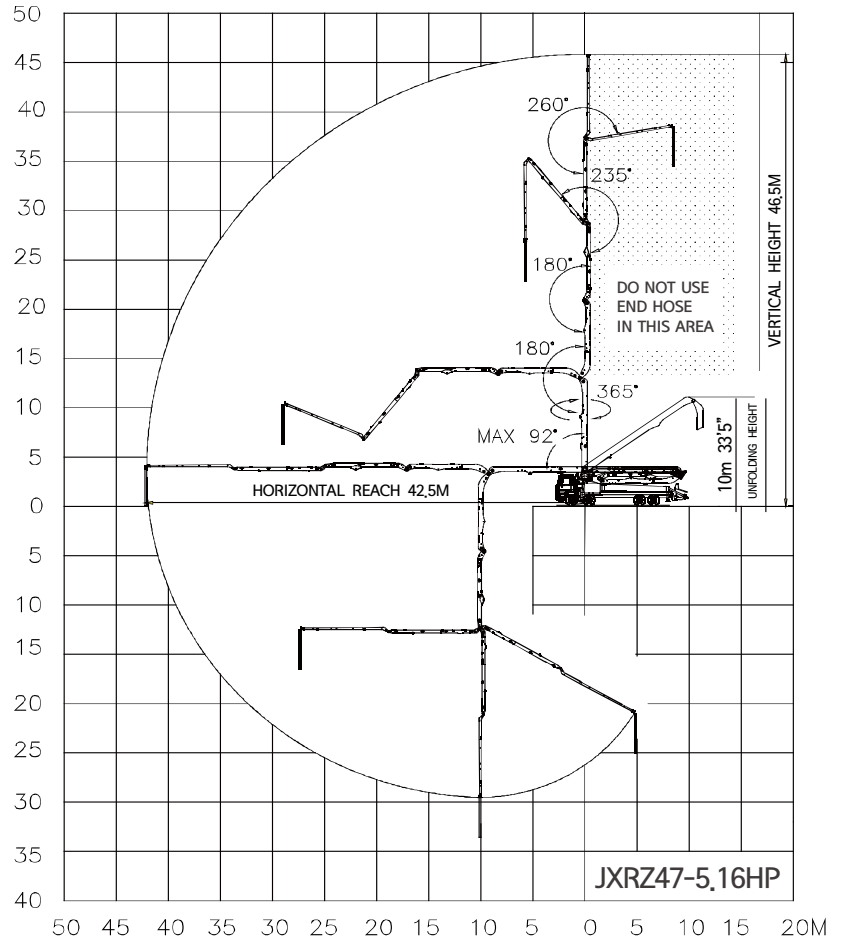
## DATA SHEET

TRUCK MOUNTED BOOM PUMP

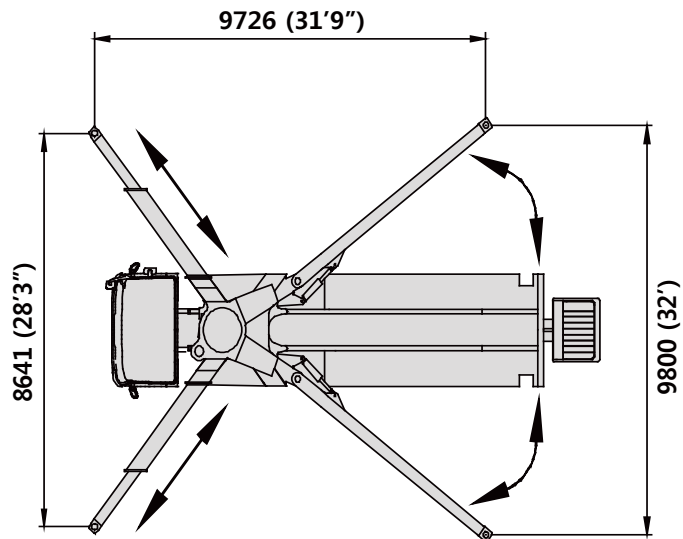


47M Truck Mounted Boom Pump with 158m<sup>3</sup>/h Output Z Type Boom Design

### BOOM WORKING DIAGRAM



### OUTRIGGER SPAN



\* All technical data are theoretical values and Specification are subject to change without prior notice.  
 \* www.junjin.com