

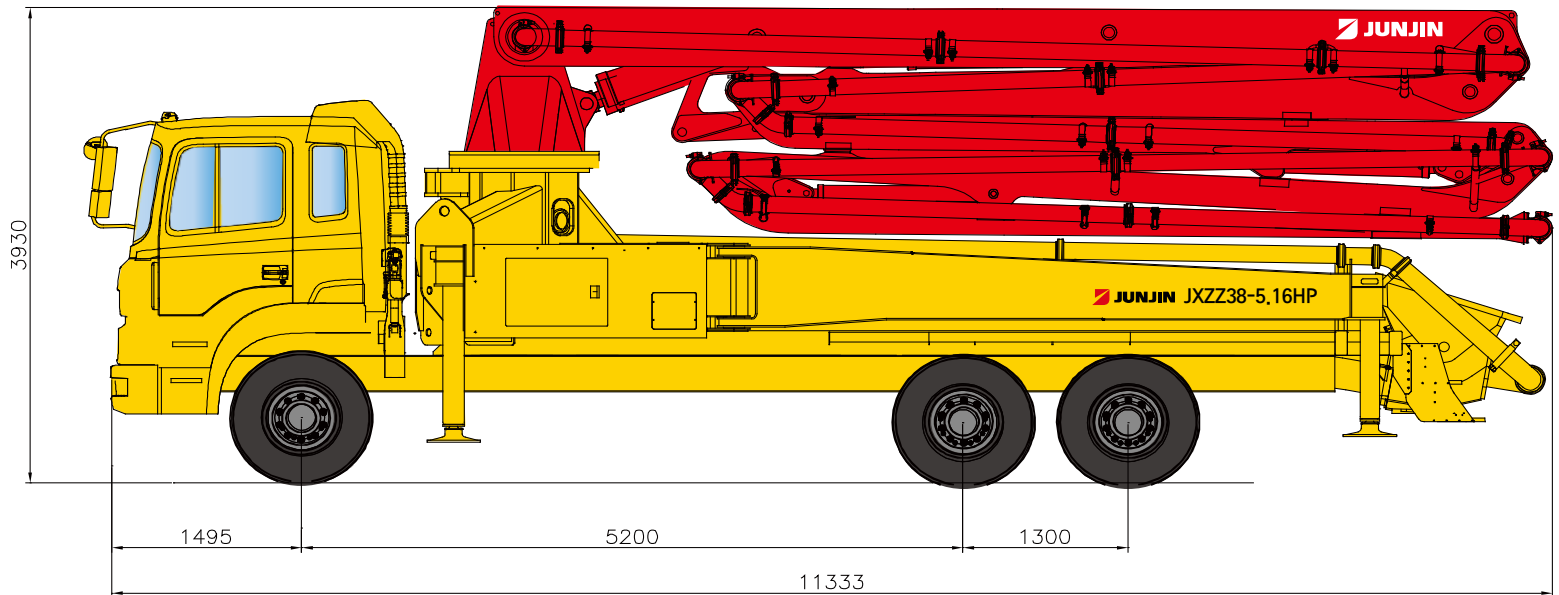
JXZZ38-5.16HP

DATA SHEET

TRUCK MOUNTED BOOM PUMP



38M Truck Mounted Boom Pump with 158m³/h Output ZZ Type Boom Design



* Remark : Standard specification with HD260. Dimension depends on truck specification.

TECHNICAL SPECIFICATION

GENERAL SPECIFICATION		PUMP SPECIFICATION			BOOM SPECIFICATION	
Delivery Line	DN 125 / 5"	Output	Rod	158 m ³ /h	Number of booms	5 Sections
Radio remote	Proportional control		Piston	98 m ³ /h	Folding Type	Z & Z TYPE
Wear plate / Ring	Tungsten Carbide	Pressure	Rod	72 Bar	Vertical Height	37.5 m
Water Pump	20 Bar		Piston	115 Bar	Horizontal Reach	33.5 m
Water Tank	430 Liter	Delivery Cylinder (Hard-chromed)	Φ230 mm		Unfolding height	7.3 m
Auto Lubrication	Hyd. grease, Hopper	Stroke Length	2100 mm		End-Hose Length	4.0 m
		S-Valve	8" X 7"		1st Section	7.8 m
		Main Oil Pump	Rexroth Hydromatic		2nd Section	6.1 m
		System Pressure	350 Bar		3rd Section	6.3 m
		Switching Type	Hydraulic		4th Section	6.6 m
		Hopper Capacity	600 Liter		5th Section	6.7 m

* All technical data are theoretical values and Specification are subject to change without prior notice.
 * www.junj.in.com

JXZZ38-5.16HP

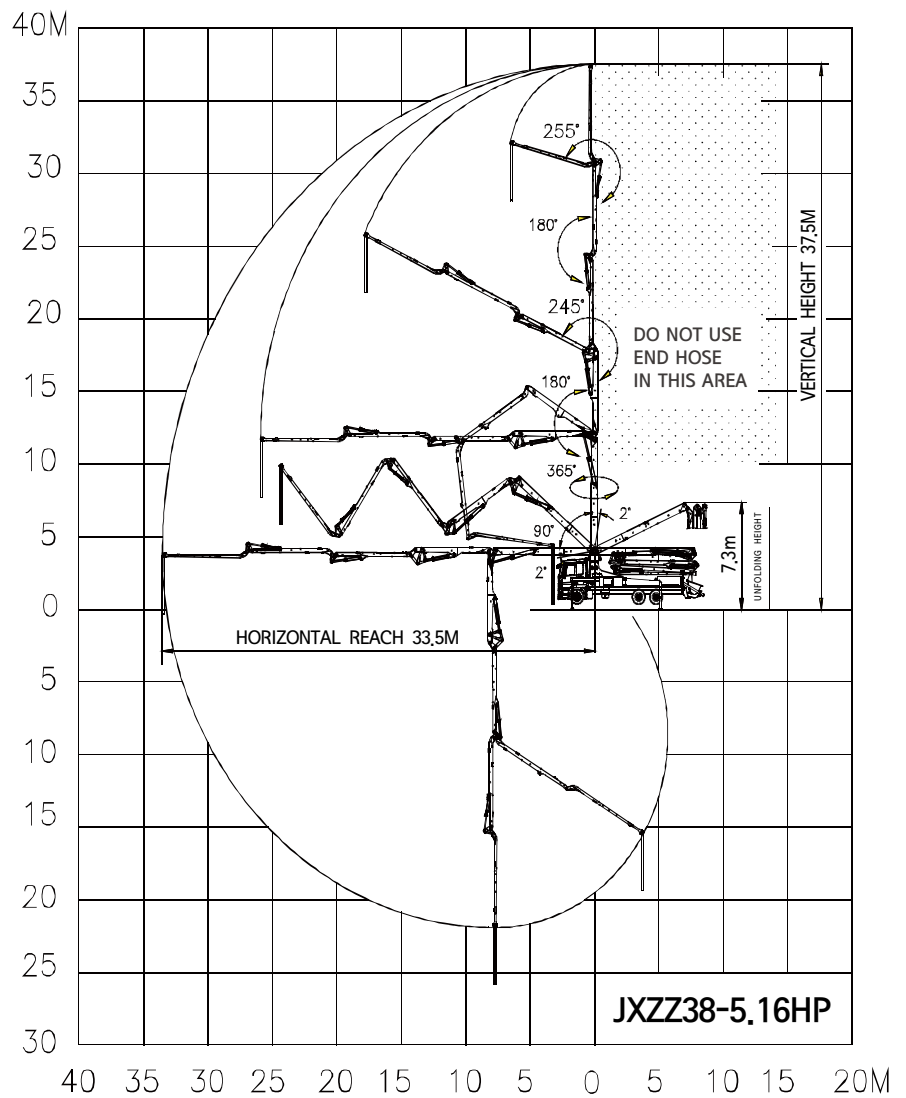
DATA SHEET

TRUCK MOUNTED BOOM PUMP

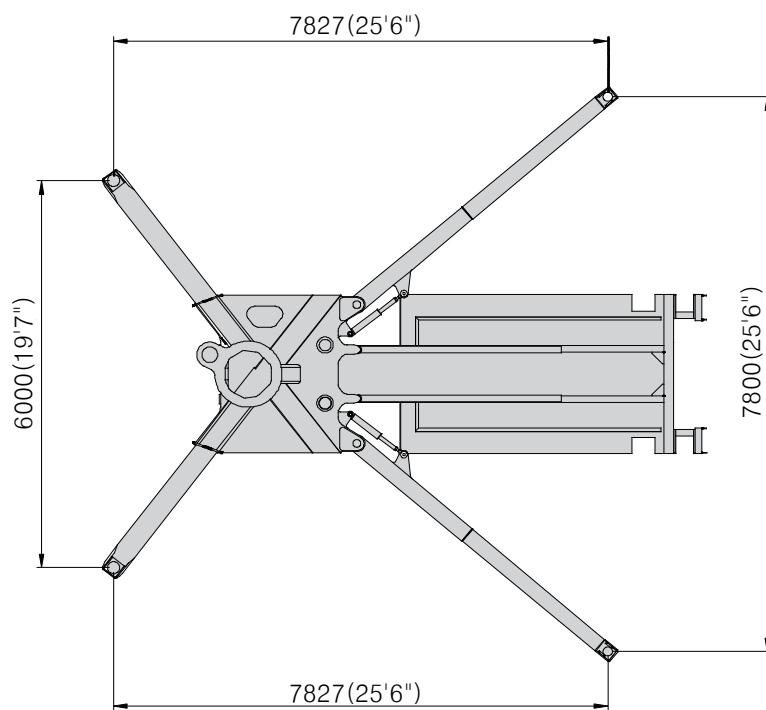


38M Truck Mounted Boom Pump with 158m³/h Output ZZ Type Boom Design

BOOM WORKING DIAGRAM



OUTRIGGER SPAN



* All technical data are theoretical values and Specification are subject to change without prior notice.
 * www.junjin.com