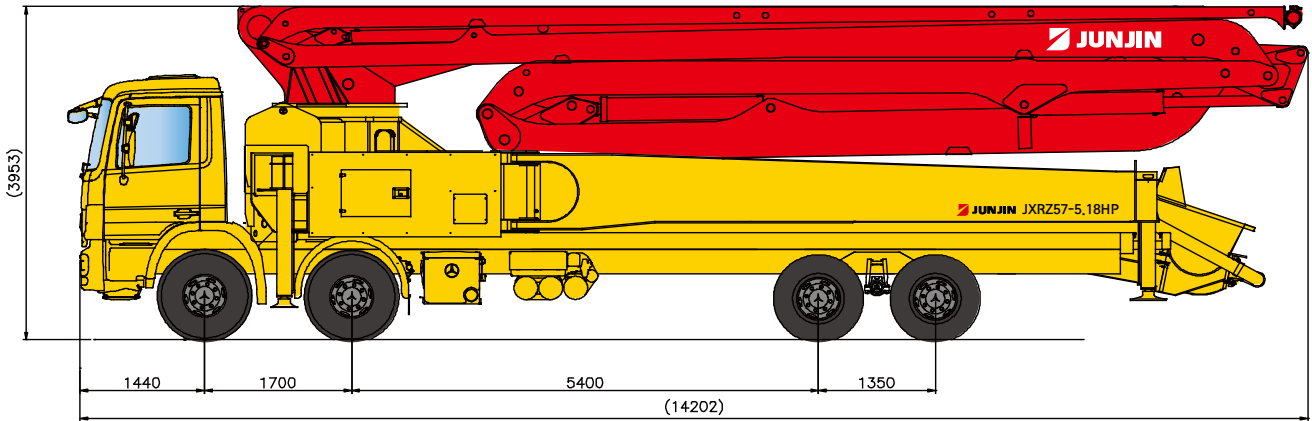


# JXRZ57-5.18HP

## DATA SHEET TRUCK MOUNTED BOOM PUMP



57M Truck Mounted Boom Pump | with 177m<sup>3</sup>/h Output & Roll-Z Type Boom Design



\* Remark : Standard specification with BENZ 8X4. Dimension depends on truck specification.

### TECHNICAL SPECIFICATION

GENERAL SPECIFICATION		PUMP SPECIFICATION			BOOM SPECIFICATION	
Delivery Line	DN 125 / 5"	Output	Rod	177 m <sup>3</sup> /h	Number of booms	5 Sections
Radio remote	Proportional control		Piston	120 m <sup>3</sup> /h	Folding Type	R & Z TYPE
Wear plate / Ring	Tungsten Carbide	Pressure	Rod	87 Bar	Vertical Height	56.2 m
Water Pump	20 Bar		Piston	130 Bar	Horizontal Reach	51.2 m
Water Tank	800 Liter	Delivery Cylinder (Hard-chromed)	Φ230 mm		Unfolding height	14.8 m
Auto Lubrication	Hyd. grease, Hopper	Stroke Length	2100 mm		End-Hose Length	4.0 m
		S - Valve	S2018		1st Section	11.1 m
		System Pressure	350 Bar		2nd Section	8.5 m
		Switching Type	Hydraulic		3rd Section	9.0 m
		Hopper Capacity	600 Liter		4th Section	11.6 m
					5th Section	12 m

\* All technical data are theoretical values and Specification are subject to change without prior notice.  
 \* www.junjin.com

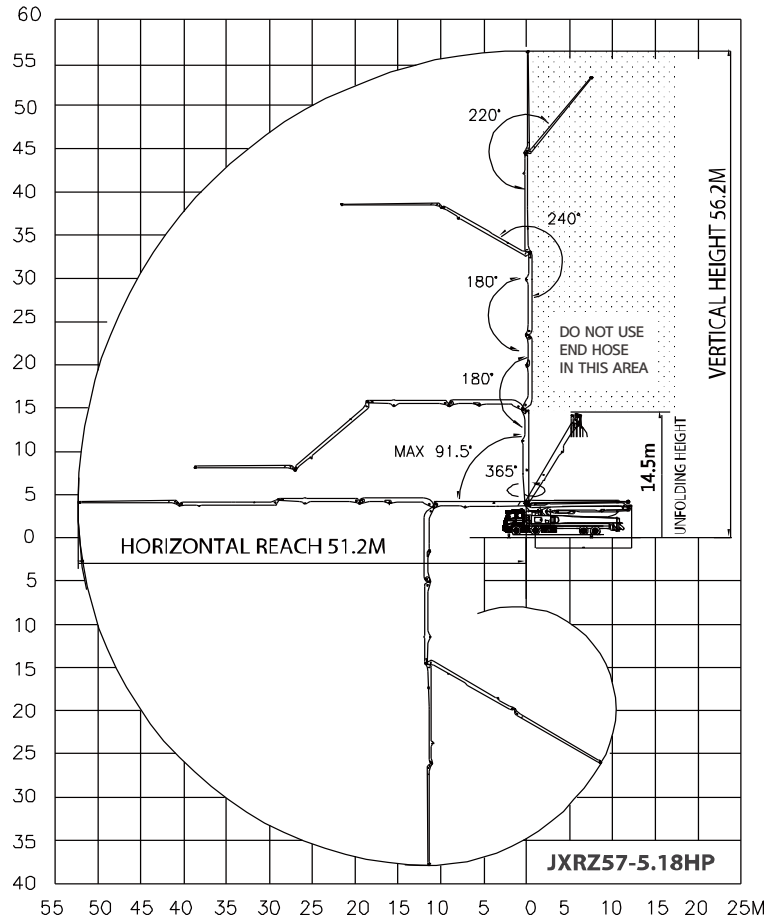
# JXRZ57-5.18HP

## DATA SHEET TRUCK MOUNTED BOOM PUMP

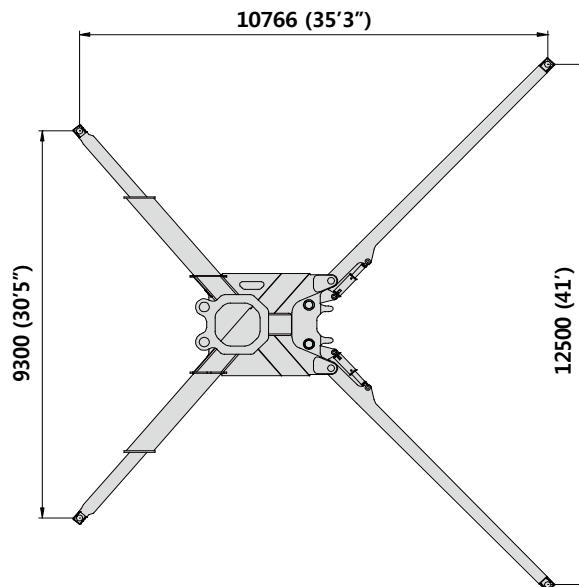


57M Truck Mounted Boom Pump | with 177m<sup>3</sup>/h Output & Roll-Z Type Boom Design

### BOOM WORKING DIAGRAM



### OUTRIGGER SPAN



\* All technical data are theoretical values and Specification are subject to change without prior notice.  
\* www.junjin.com