



Ref no. JDB42-002

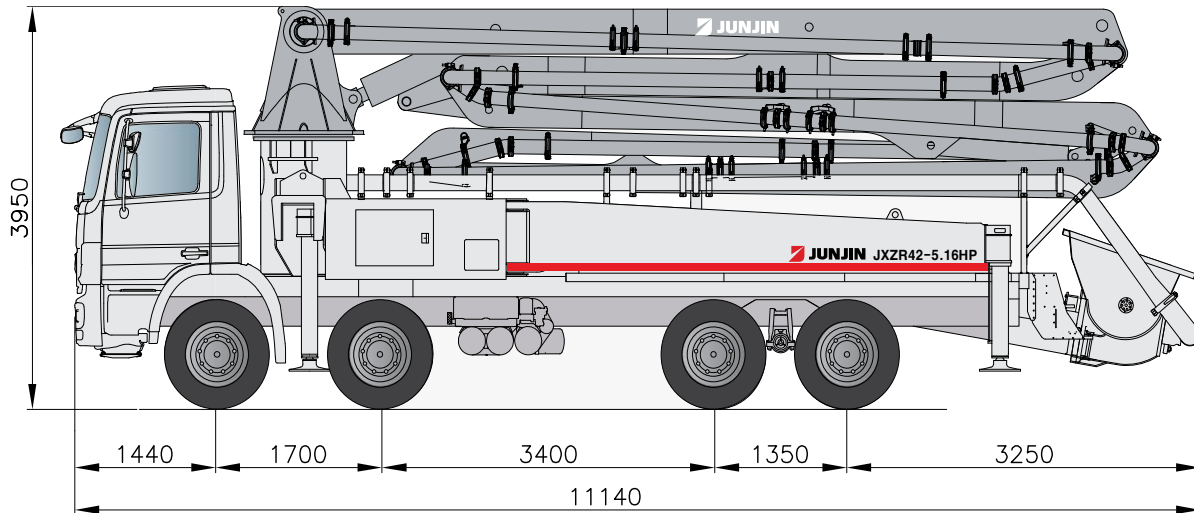
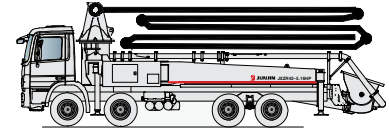
DATA SHEET

TRUCK MOUNTED BOOM PUMP



JXZR42-5.18HP

42M Truck Mounted Boom Pump
with 180 m³/h Output & Z-Roll Type Boom Design



* Remark : Standard specification with MB4141. Dimension depends on truck specification.

TECHNICAL SPECIFICATION

General Specification		Pump Specification			Boom Specification	
Delivery Line	DN 125 / 5"	Output	Rod	183 m ³ /h	Number of booms	5 Sections
Radio Remote	Proportional control		Piston	123 m ³ /h	Folding Type	Z & R
Wear Plate / Ring	Tungsten Carbide	Pressure	Rod	87 Bar	Vertical Height	41.7 m
Water Pump	20 Bar		Piston	130 Bar	Horizontal Reach	37.7 m
Water Tank	500 Liter	Delivery Cylinder (Hard-chromed)	Φ230 mm		Unfolding height	8.0 m
Auto Lubrication	Hyd. grease, Hopper	Stroke Length	2100 mm		End-Hose Length	4.0 m
		S - Valve	8" X 7"		1st Section	8.3 m
		Main Oil Pump	Rexroth 190 x 2		2nd Section	6.8 m
		System Pressure	350 Bar		3rd Section	7.2 m
		Switching Type	Hydraulic		4th Section	7.7 m
		Hopper Capacity	600 Liter		5th Section	7.7 m

* All technical data are theoretical values and Specification are subject to change without prior notice.
* www.junj.in.com



Ref no. JDB42-002

DATA SHEET

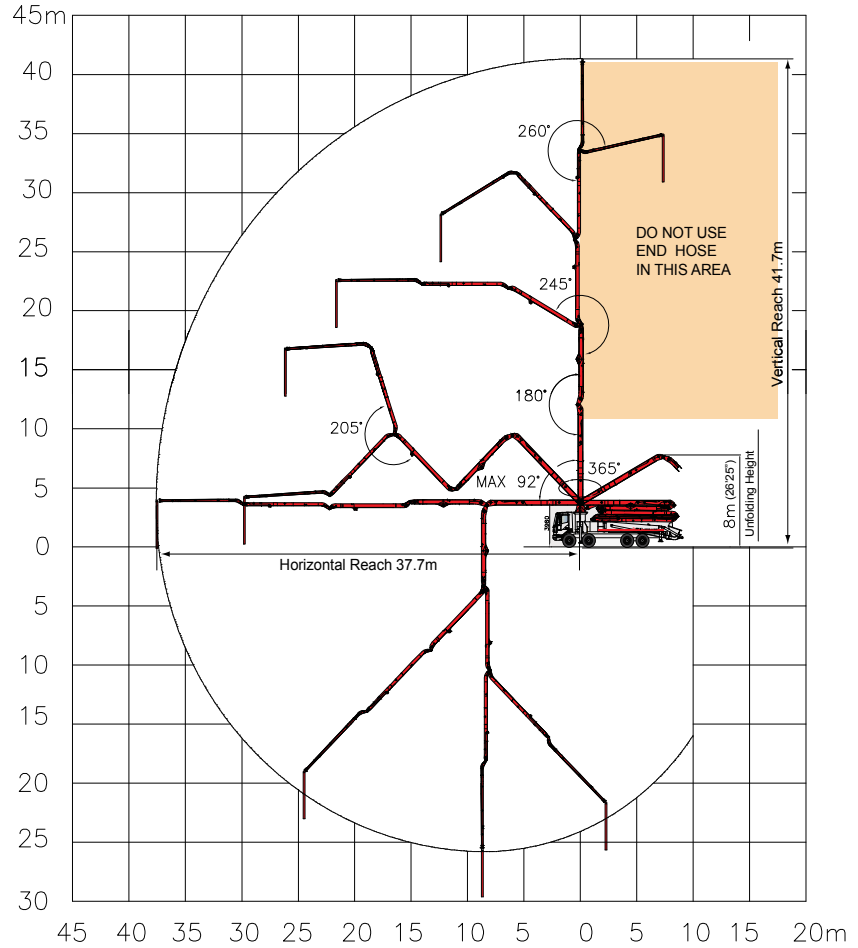
TRUCK MOUNTED BOOM PUMP



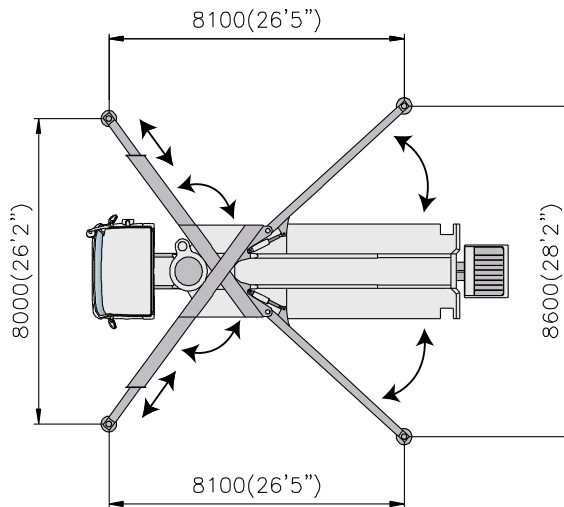
JXZR42-5.18HP

42M Truck Mounted Boom Pump
with 180 m³/h Output & Z-Roll Type Boom Design

**BOOM
WORKING
DIAGRAM**



**OUTRIGGER
SPAN**



* All technical data are theoretical values and Specification are subject to change without prior notice.
 * www.junjin.com