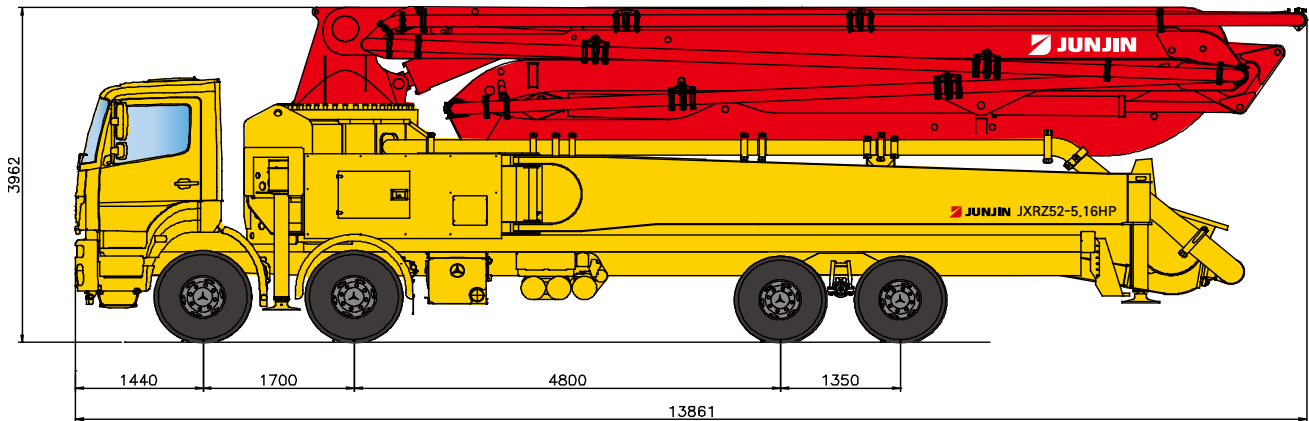


# JXRZ52-5.16HP

## DATA SHEET TRUCK MOUNTED BOOM PUMP



### 52M Truck Mounted Boom Pump with 158m<sup>3</sup>/h Output & RZ Type Boom Design



\* Remark : Standard specification with BENZ 8X4. Dimension depends on truck specification.

#### TECHNICAL SPECIFICATION

GENERAL SPECIFICATION		PUMP SPECIFICATION			BOOM SPECIFICATION	
Delivery Line	DN 125 / 5"	Output	Rod	158 m <sup>3</sup> /h	Number of booms	5 Sections
Radio remote	Proportional control		Piston	98 m <sup>3</sup> /h	Folding Type	R & Z TYPE
Wear plate / Ring	Tungsten Carbide	Pressure	Rod	72 Bar	Vertical Height	51.7 m
Water Pump	20 Bar		Piston	115 Bar	Horizontal Reach	47.7 m
Water Tank	500 Liter	Delivery Cylinder (Hard-chromed)	Φ230 mm		Unfolding height	10.3 m
Auto Lubrication	Hyd. grease, Hopper	Stroke Length	2100 mm		End-Hose Length	4.0 m
		S - Valve	S2018		1st Section	9.9 m
		System Pressure	350 Bar		2nd Section	8.65 m
		Switching Type	Hydraulic		3rd Section	8.8 m
		Hopper Capacity	600 Liter		4th Section	9.8 m
					5th Section	10.55 m

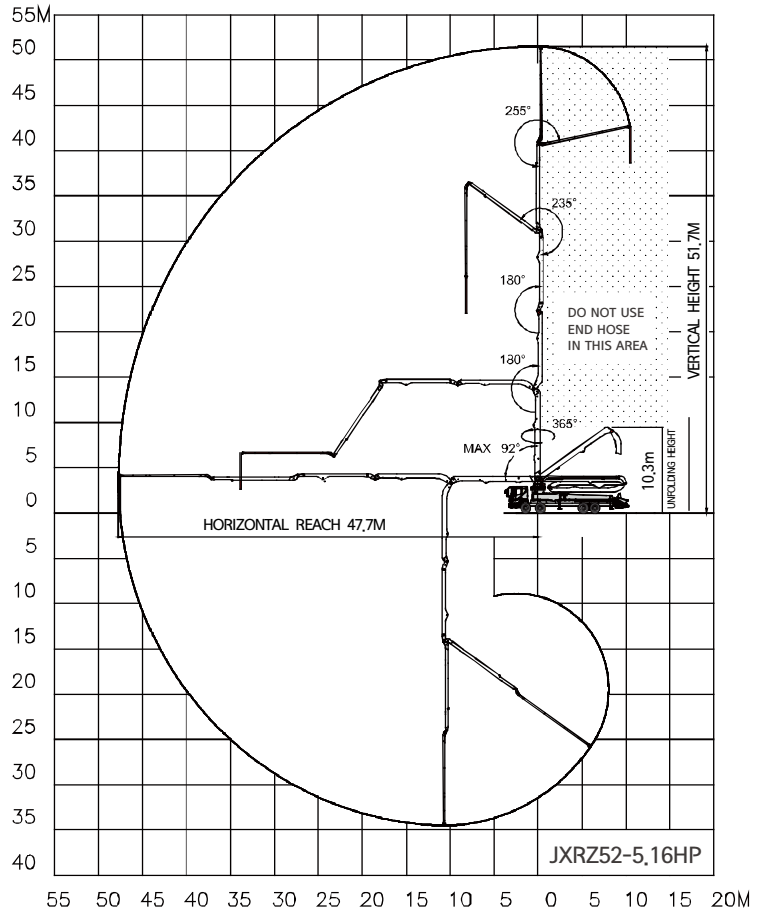
# JXRZ52-5.16HP

## DATA SHEET TRUCK MOUNTED BOOM PUMP

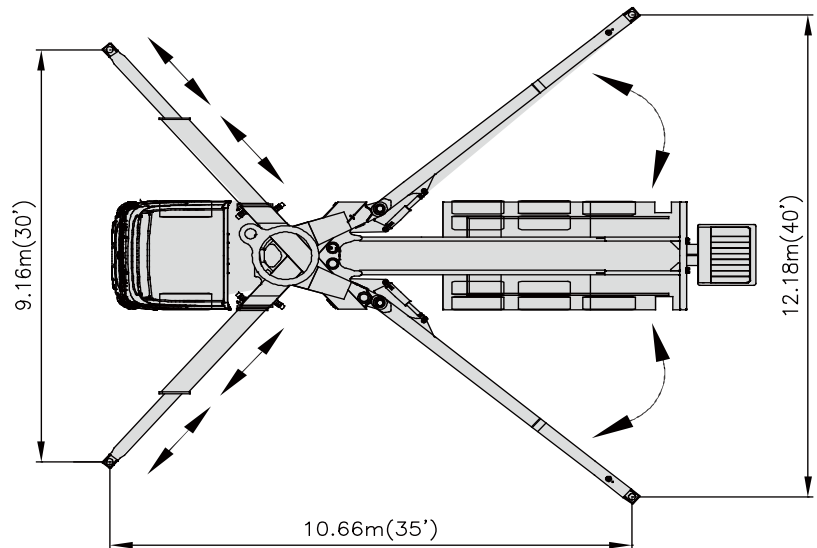


### 52M Truck Mounted Boom Pump with 158m<sup>3</sup>/h Output & RZ Type Boom Design

#### BOOM WORKING DIAGRAM



#### OUTRIGGER SPAN



\* All technical data are theoretical values and Specification are subject to change without prior notice.  
 \* www.junjin.com