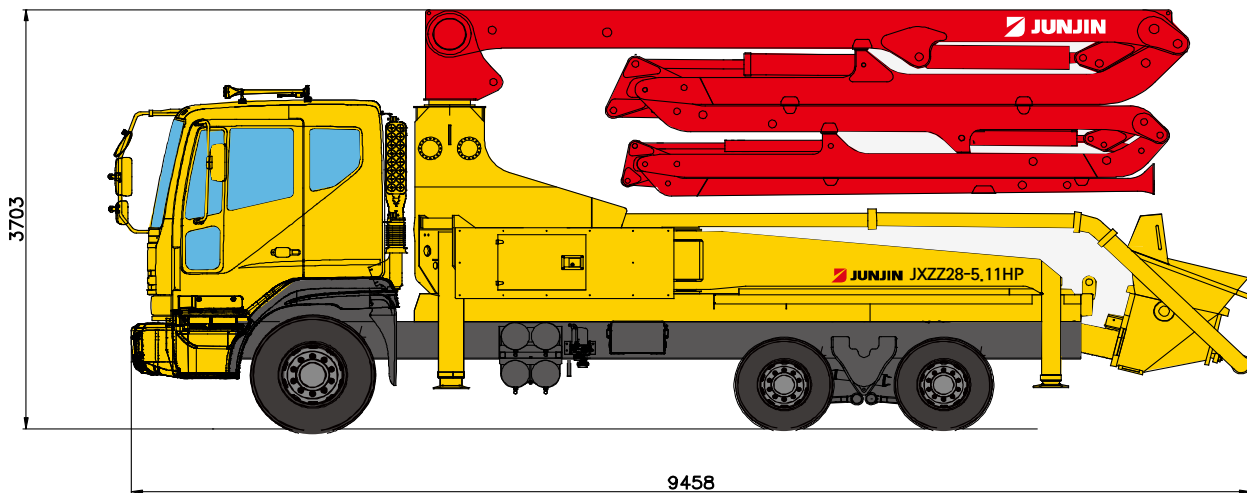


JXZZ28-5.11HP

DATA SHEET TRUCK MOUNTED BOOM PUMP



28M Truck Mounted Boom Pump with 110m³/h Output ZZ Type Boom Design



* Remark : Standard specification with DAEWOO 6X4. Dimension depends on truck specification.

TECHNICAL SPECIFICATION

GENERAL SPECIFICATION		PUMP SPECIFICATION			BOOM SPECIFICATION	
Delivery Line	DN 125 / 5"	Output	Rod	109 m ³ /h	Number of booms	5 Sections
Radio remote	Proportional control		Piston	73 m ³ /h	Folding Type	Z&Z TYPE
Wear plate / Ring	Tungsten Carbide	Pressure	Rod	54 Bar	Vertical Height	27.7 m
Water Pump	20 Bar		Piston	80 Bar	Horizontal Reach	23.9 m
Water Tank	470 Liter	Delivery Cylinder (Hard-chromed)	φ 230 mm		Unfolding height	5.25 m
Auto Lubrication	Hyd. grease, Hopper	Stroke Length	1400 mm		End-Hose Length	3.0 m
		S - Valve	8" X 7"		1st Section	6.15 m
		Main Oil Pump	Rexroth Hydromatic		2nd Section	4.5 m
		System Pressure	350 Bar		3rd Section	4.35 m
		Switching Type	Hydraulic		4th Section	4.35 m
		Hopper Capacity	500 Liter		5th Section	4.5 m

* All technical data are theoretical values and Specification are subject to change without prior notice.
* www.junjin.com

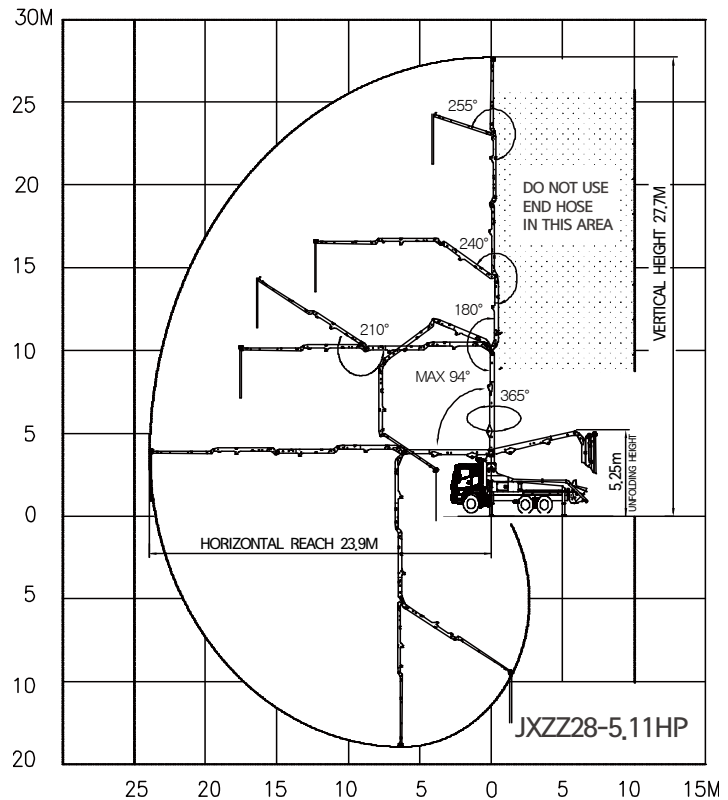
JXZZ28-5.11HP

DATA SHEET TRUCK MOUNTED BOOM PUMP

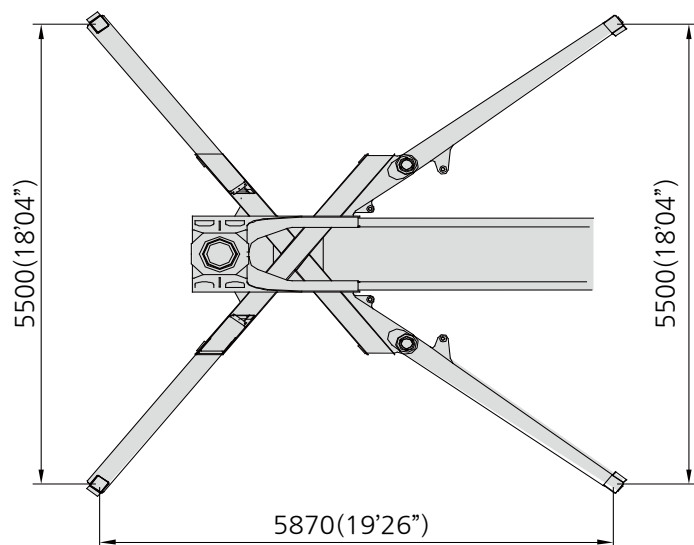


28M Truck Mounted Boom Pump with 110m³/h Output ZZ Type Boom Design

BOOM WORKING DIAGRAM



OUTRIGGER SPAN



* All technical data are theoretical values and Specification are subject to change without prior notice.
* www.junjin.com