



Ref no. JDPM33-001

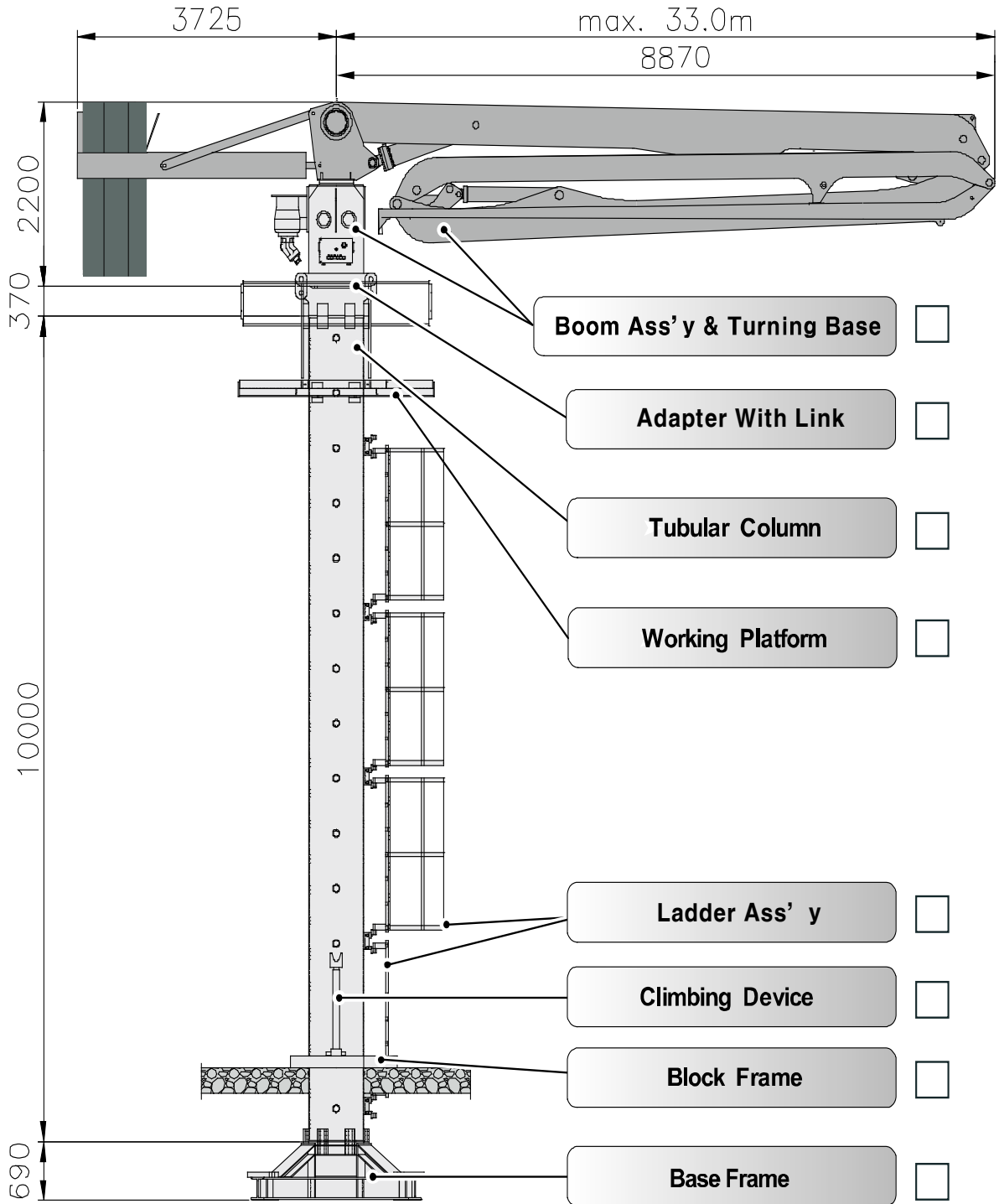
DATA SHEET

PLACING BOOM



JB-M33H

Placing System on Tubular column Type
33M 4 Sections R & Fold designed Boom



* All technical data are theoretical values and Specification are subject to change without prior notice.
* www.junjin.com



Ref no. JDPM33-001

DATA SHEET

PLACING BOOM



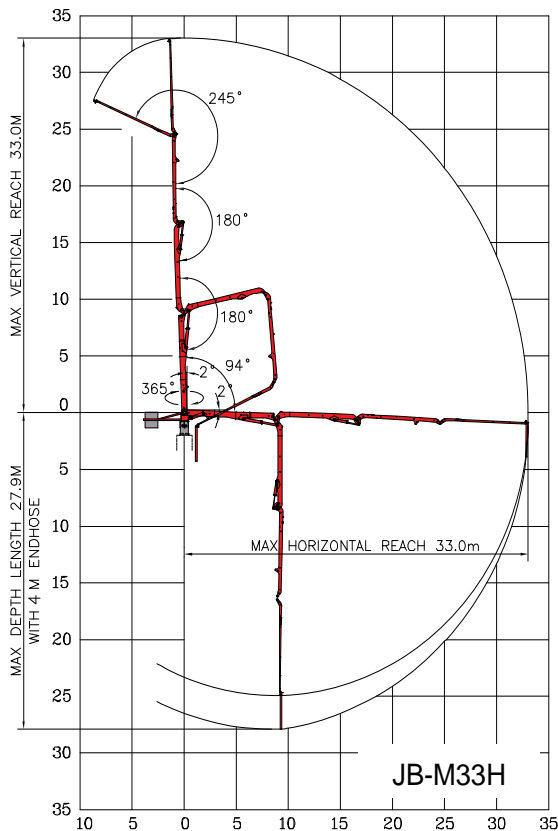
JB-M33H

Placing System on Tubular column Type
33M 4 Sections R & Fold designed Boom

■ Boom Specification / Technical Specification

Boom Design		R&Fold	Boom Articulation	1st Section	-2° ~ 92°
Horizontal Reach		33.0m		2nd Section	180°
Vertical Reach		33.0m		3rd Section	180°
Reach Depth		27.9m		4th Section	245°
Boom Length	1st Section	8.7m	Rotation		365°
	2nd Section	7.9m	Delivery Line		DN 125mm(5")
	3rd Section	8.0m	Electric System		AC380V / 60HZ
	4th Section	8.4m	Control Systems		Radio-Cable-Manual
End Hose Length		4.0m	Electric Motor		15kW

■ Working Diagram



* All technical data are theoretical values and Specification are subject to change without prior notice.
* www.junjjin.com



Ref no. JDPM33-001

DATA SHEET

PLACING BOOM

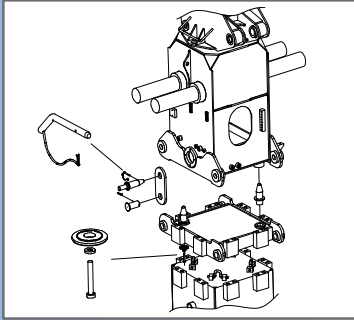


JB-M33H

Placing System on Tubular column Type
33M 4 Sections R & Fold designed Boom

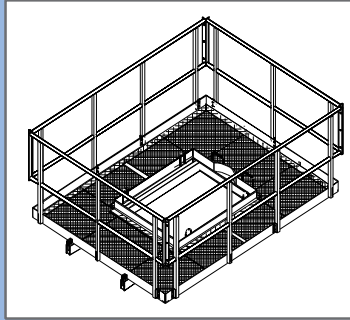
Standard delivery Scope

Turning Base & Adapter



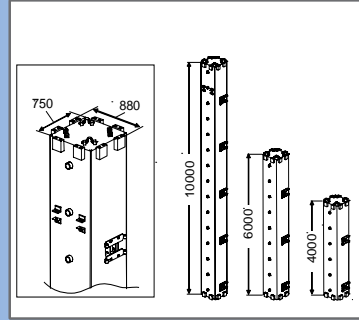
- Turing Base:1Set
- Adapter:1Set

Working Platform



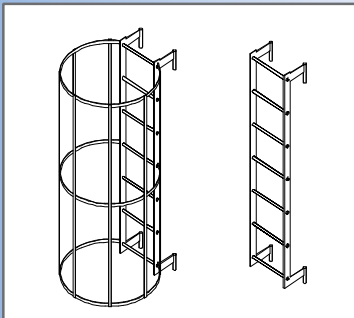
- Safety platform : 1Set

Tubular Column



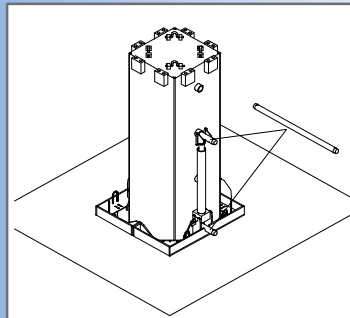
- 10m Tubular Column:2EA
- 4m,6m Tubular Column:options

Ladder



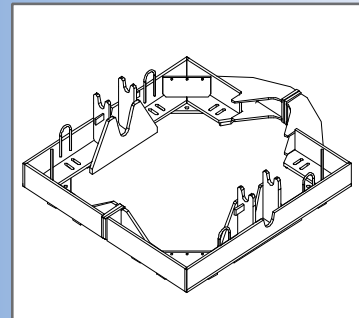
- Ladder with rear protection:3EA
- Ladder without protection:1EA

Climbing Device



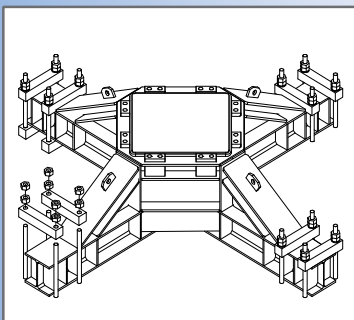
- Climbing Device:1Set

Block Frame



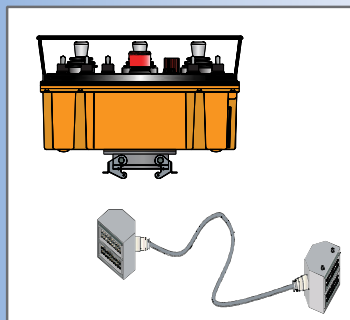
- Block Frame:3EA

Base Frame



- Base Frame:1EA

Remote Control



- Cable Remote Control:1Set

* All technical data are theoretical values and Specification are subject to change without prior notice.
* www.junjinc.com



Ref no. JDPM33-001

DATA SHEET

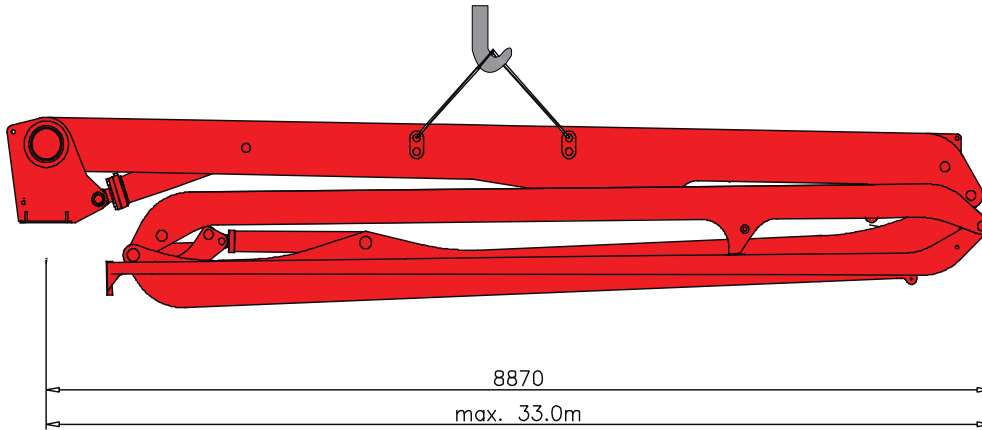
PLACING BOOM



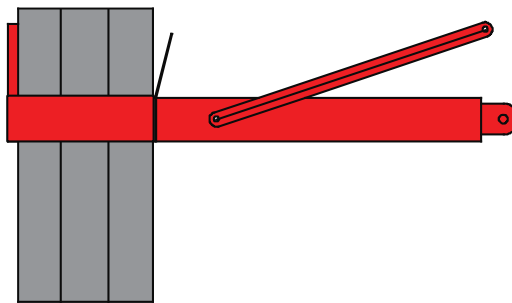
JB-M33H

Placing System on Tubular column Type
33M 4 Sections R & Fold designed Boom

Boom ass'y : 5990Kg



Counter Jib Ass'y = 6,800Kg



- Ballast bearer = 500kg
- Ballast weight = 3 x 2100kg

* All technical data are theoretical values and Specification are subject to change without prior notice.
* www.junjjin.com



Ref no. JDPM33-001

DATA SHEET

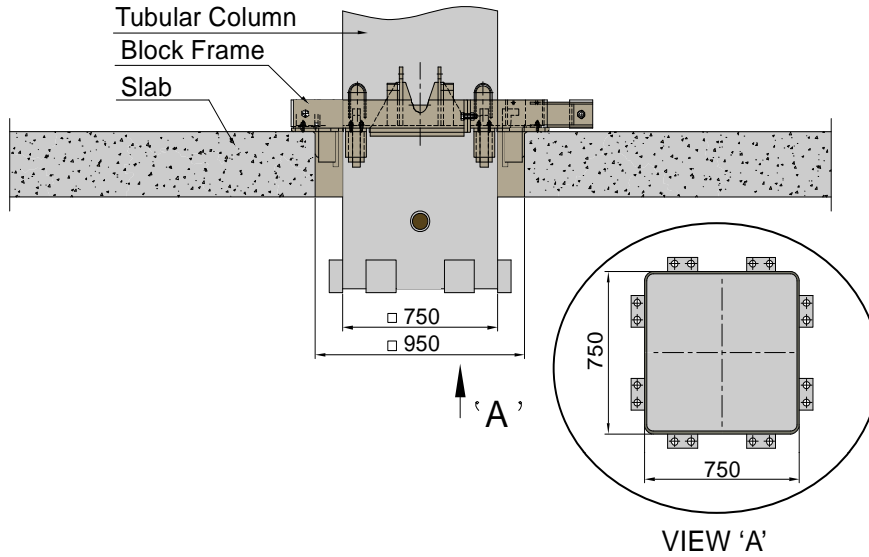
PLACING BOOM



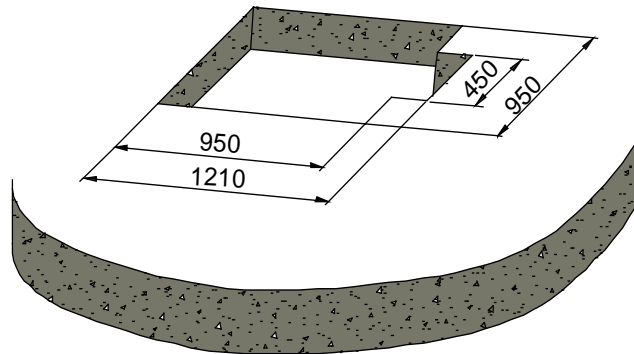
JB-M33H

Placing System on Tubular column Type
33M 4 Sections R & Fold designed Boom

How to support on Slab



Slab Open Hole Size



* All technical data are theoretical values and Specification are subject to change without prior notice.
* www.junjin.com



Ref no. JDPM33-001

DATA SHEET

PLACING BOOM



JB-M33H

Placing System on Tubular column Type
33M 4 Sections R & Fold designed Boom

WEIGHT LIST

NO.	NAME	EA/SET	KG/EA	TOTAL KG
1	BOOM ASS'Y	1	6170	6170
2	COUNTER JIB ASS'Y			6800
1)	BALLAST BEARER	1	500	500
2)	BALLAST WEIGHT	3	2100	6300
3	TURNING BASE ASS'Y	1	2320	2320
4	TUBULAR COLUMN (10m)	2	3356	6712
5	PLATFORM ASS'Y	1		358
1)	PLATFORM	1	250	250
2)	SUPPORT FOR PLATFORM	2	20	40
3)	HANDLE RAIL (1)	2	18	36
4)	HANDLE RAIL (2)	2	16	32
6	LADDER ELEMENT SET	1		259
1)	LADDER (1)	3	44	132
2)	LADDER (2)	1	27	27
3)	LADDER BRACKET	10	10	100
7	BLOCK FRAME	3	335	1005
8	BASE FRAME	1	1420	1420
9	PIN ASS'Y FOR PLACING BOOM	1		45
1)	PIN (1) (LINK)	4	3.5	14
2)	PIN (2) (LINK)	4	4.5	18
3)	PIN (3) (ADAPTER)	2	4.5	9
4)	CLIP (LINK)	4	0.5	2
5)	COVER (ADAPTER)	2	1	2
10	PIN FOR LIFTING CYL	3	40	120
11	PIN FOR LADDER	14	1.8	25.2
12	LIFTING CYL	2	70	140
13	LINK & ADAPTER	1		450
1)	ADAPTER FOR MAST	1	370	370
2)	LINK	8	10	80
				25,824

* All technical data are theoretical values and Specification are subject to change without prior notice.
* www.junjjin.com