



Ref no. JDPZ29-001

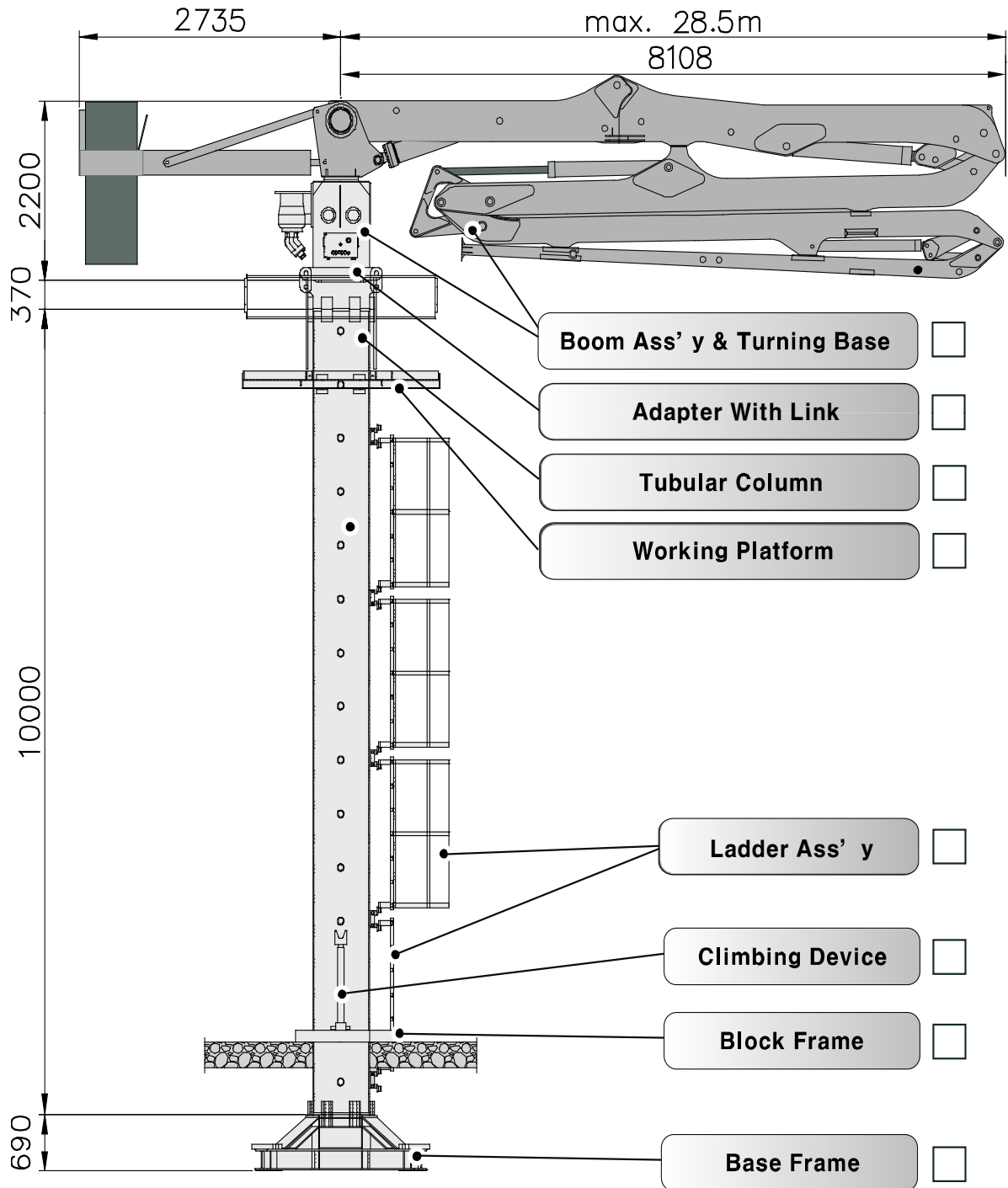
DATA SHEET

PLACING BOOM



JB-NZ29H

Placing System on Tubular column Type
29M 4 Sections Z & Fold designed Boom



* All technical data are theoretical values and Specification are subject to change without prior notice.
 * www.junjin.com



Ref no. JDPZ29-001

DATA SHEET

PLACING BOOM



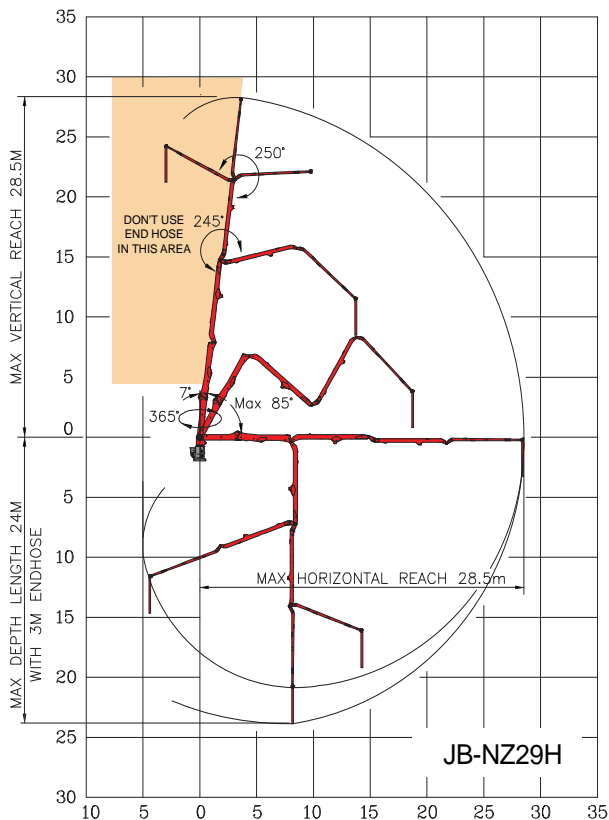
JB-NZ29H

Placing System on Tubular column Type
29M 4 Sections Z & Fold designed Boom

Boom Specification / Technical Specification

Boom Design		Z & Fold	Boom Articulation	1st Section	-2~83°
Horizontal Reach		28.5 m		2nd Section	180°
Vertical Reach		28.5 m		3rd Section	245°
Reach Depth		24.0 m		4th Section	250°
Boom Length	1st Section	8.0 m	Rotation		365°
	2nd Section	6.9 m	Delivery Line		DN 125mm(5")
	3rd Section	6.8 m	Electric Power		AC380V / 60HZ
	4th Section	6.8 m	Control Systems		Radio-Cable-Manual
End Hose Length		3.0 m	Electric Motor		15kW

Working Diagram



* All technical data are theoretical values and Specification are subject to change without prior notice.
* www.junjin.com



Ref no. JDPZ29-001

DATA SHEET

PLACING BOOM

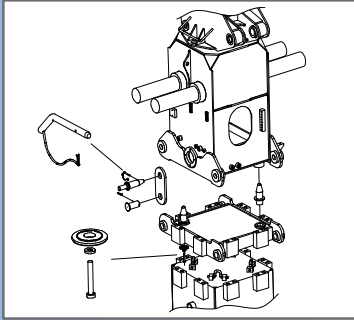


JB-NZ29H

Placing System on Tubular column Type
29M 4 Sections Z & Fold designed Boom

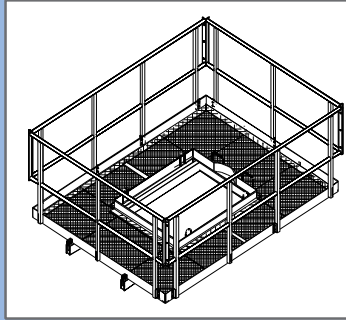
Standard delivery Scope

Turning Base & Adapter



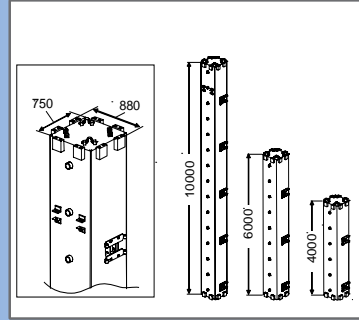
- Turing Base : 1Set
- Adapte r: 1Set

Working Platform



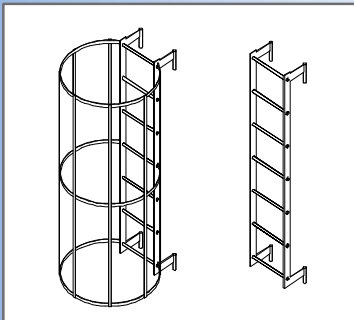
- Safety platform : 1Set

Tubular Column



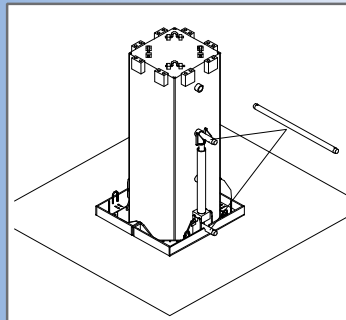
- 10m Tubular Column : 2EA
- 4m,6m Tubular Column : options

Ladder



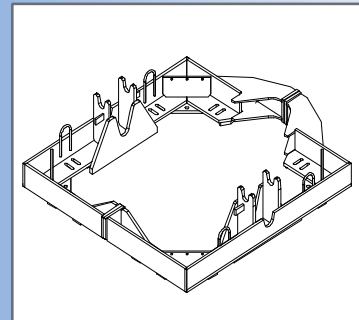
- Ladder with rear protection:3EA
- Ladder without protection:1EA

Climbing Device



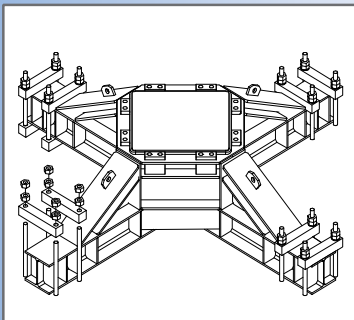
- Climbing Device:1Set

Block Frame



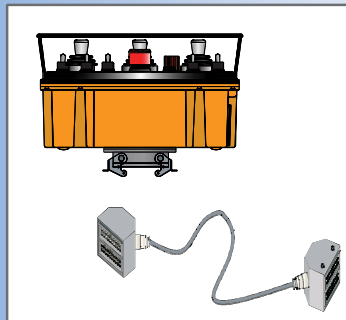
- Block Frame:3EA

Base Frame



- Base Frame:1EA

Remote Control



- Cable Remote Control:1Set

* All technical data are theoretical values and Specification are subject to change without prior notice.
* www.junjjin.com



Ref no. JDPZ29-001

DATA SHEET

PLACING BOOM

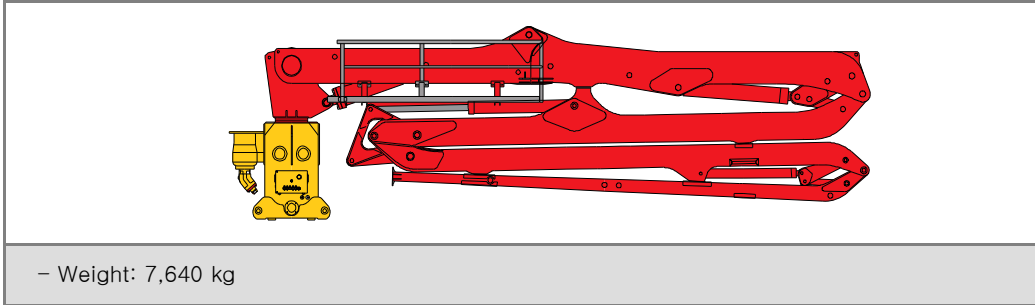


JB-NZ29H

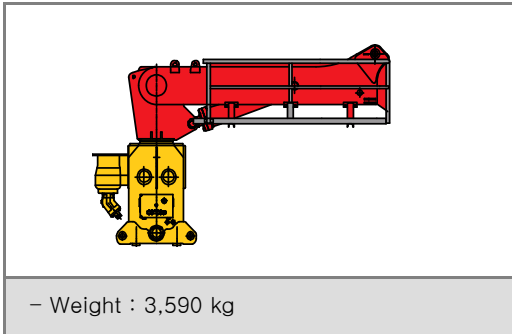
Placing System on Tubular column Type
29M 4 Sections Z & Fold designed Boom

Standard delivery Scope

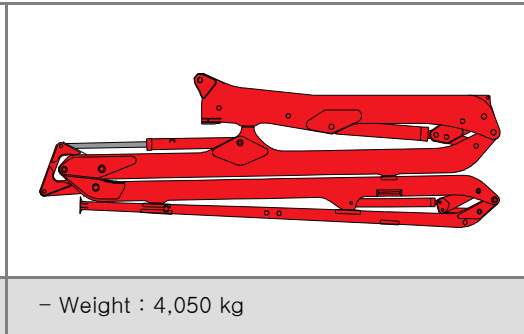
▷ Boom ass'y & Turning base



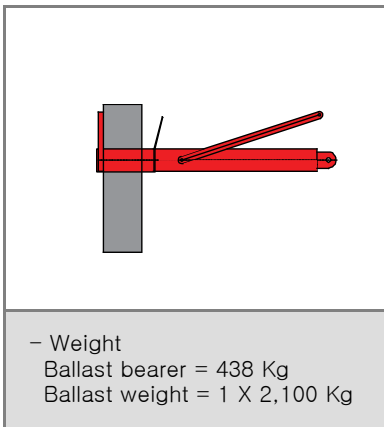
▷ 1ST Boom part1



▷ 2ND Boom part2



▷ Ballast Jib Ass'y



* All technical data are theoretical values and Specification are subject to change without prior notice.
* www.junjjin.com



Ref no. JDPZ29-001

DATA SHEET

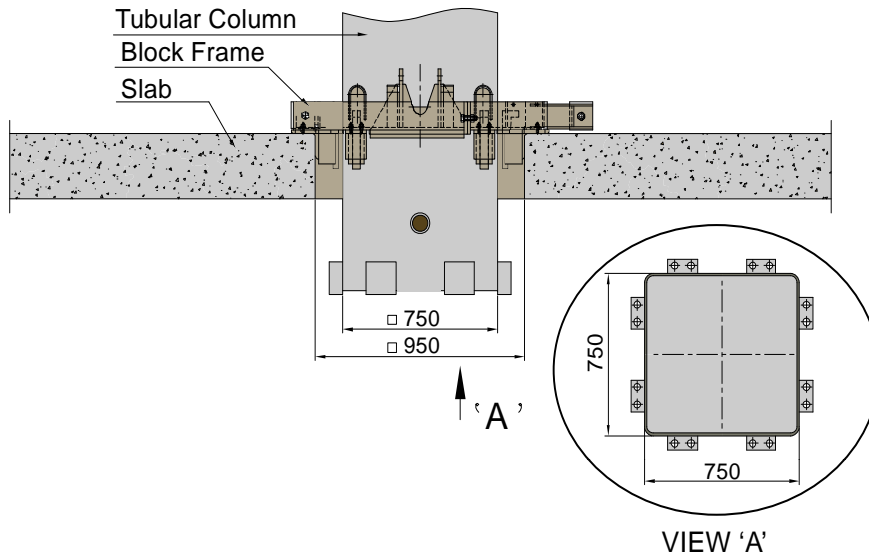
PLACING BOOM



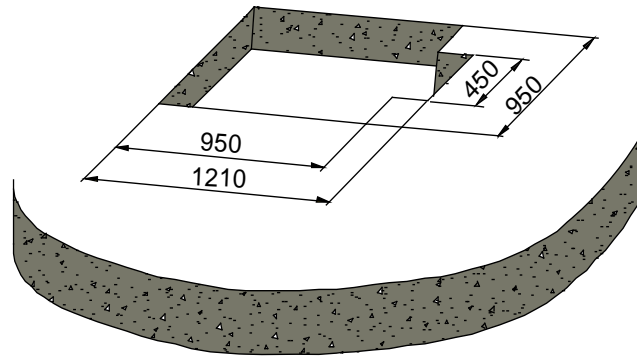
JB-NZ29H

Placing System on Tubular column Type
29M 4 Sections Z & Fold designed Boom

How to support on Slab



Slab Open Hole Size



* All technical data are theoretical values and Specification are subject to change without prior notice.
* www.junjjin.com



Ref no. JDPZ29-001

DATA SHEET

PLACING BOOM

**JB-NZ29H****Placing System on Tubular column Type
29M 4 Sections Z & Fold designed Boom****WEIGHT LIST**

NO.	NAME	EA/SET	KG/EA	TOTAL KG
1	BOOM ASS'Y	1	5450	5450
2	COUNTER JIB ASS'Y			2538
1)	BALLAST BEARER	1	438	438
2)	BALLAST WEIGHT	1	2100	2100
3	TURNING BASE ASS'Y	1	2320	2320
4	TUBULAR COLUMN (10m)	2	3356	6712
5	PLATFORM ASS'Y	1		358
1)	PLATFORM	1	250	250
2)	SUPPORT FOR PLATFORM	2	20	40
3)	HANDLE RAIL (1)	2	18	36
4)	HANDLE RAIL (2)	2	16	32
6	LADDER ELEMENT SET	1		259
1)	LADDER (1)	3	44	132
2)	LADDER (2)	1	27	27
3)	LADDER BRACKET	10	10	100
7	BLOCK FRAME	3	335	1005
8	BASE FRAME	1	1420	1420
9	PIN ASS'Y FOR PLACING BOOM	1		45
1)	PIN (1) (LINK)	4	3.5	14
2)	PIN (2) (LINK)	4	4.5	18
3)	PIN (3) (ADAPTER)	2	4.5	9
4)	CLIP (LINK)	4	0.5	2
5)	COVER (ADAPTER)	2	1	2
10	PIN FOR LIFTING CYL	3	40	120
11	PIN FOR LADDER	10	1.8	18
12	PIN FOR PLATFORM	4	1.5	6
13	LIFTING CYL	2	70	140
14	LINK & ADAPTER	1		450
1)	ADAPTER FOR MAST	1	370	370
2)	LINK	8	10	80
				20,841

* All technical data are theoretical values and Specification are subject to change without prior notice.

* www.junjinc.com