



Ref no. JDB28-001

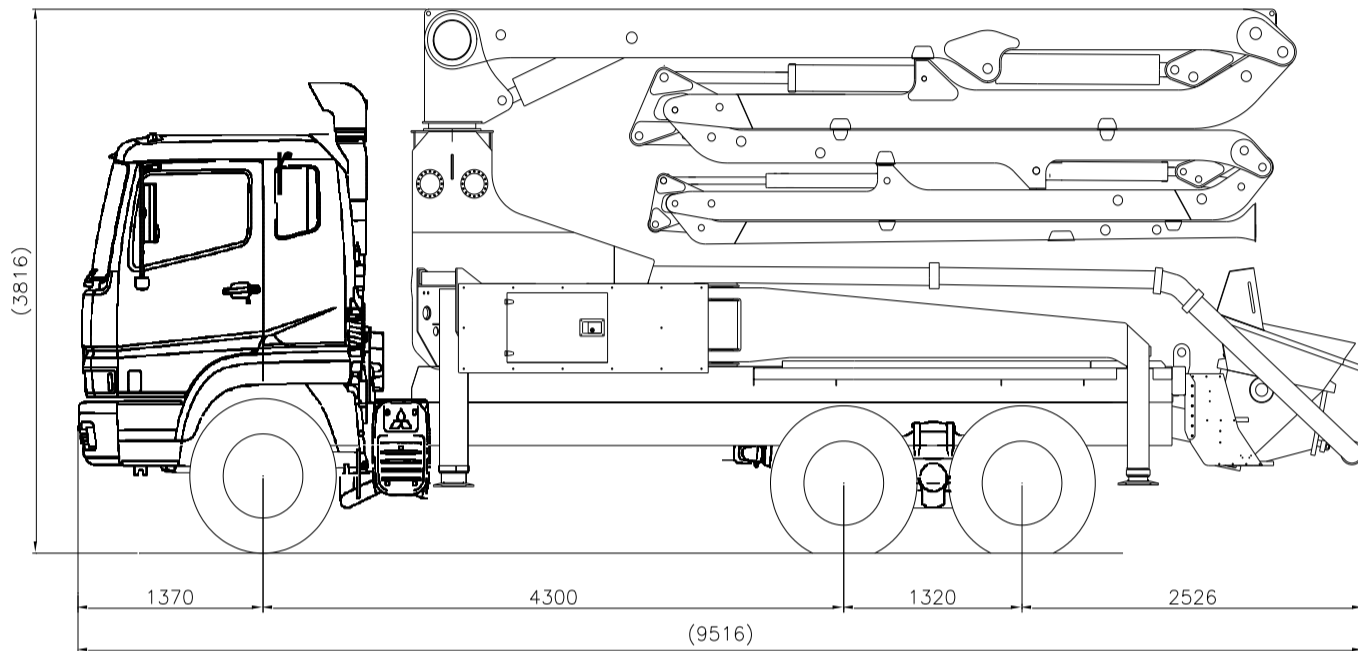
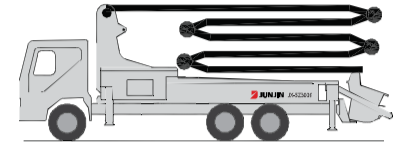
# DATA SHEET

TRUCK MOUNTED BOOM PUMP



## JXZZ28-5.11HP

28M Truck Mounted Boom Pump  
with 110 m<sup>3</sup>/h Output ZZ Type Boom Design



\* Remark : Standard specification with FUSO 6X4. Dimension depends on truck specification.

### TECHNICAL SPECIFICATION

General Specification		Pump Specification			Boom Specification	
Delivery Line	DN 125 / 5"	Output	Rod	109 m <sup>3</sup> /h	Number of booms	5 Sections
Radio remote	Proportional control		Piston	73 m <sup>3</sup> /h	Folding Type	ZZ
Wear plate / Ring	Tungsten Carbide	Pressure	Rod	54 Bar	Vertical Height	27.7 m
Water Pump	20 Bar		Piston	80 Bar	Horizontal Reach	23.9 m
Water Tank	470 Liter	Delivery Cylinder (Hard-chromed)	Φ230 mm		Unfolding height	5.25 m
Auto Lubrication	Hyd. grease, Hopper	Stroke Length	1400 mm		End-Hose Length	3.0 m
		S-Valve	8" X 7"		1st Section	6.15 m
		Main Oil Pump	Rexroth Hydromatic		2nd Section	4.5 m
		System Pressure	350 Bar		3rd Section	4.35 m
		Switching Type	Hydraulic		4th Section	4.35 m
		Hopper Capacity	500 Liter		5th Section	4.5m

\* All technical data are theoretical values and Specification are subject to change without prior notice.

\* www.junj.in.com



Ref no. JDB28-001

# DATA SHEET

TRUCK MOUNTED BOOM PUMP

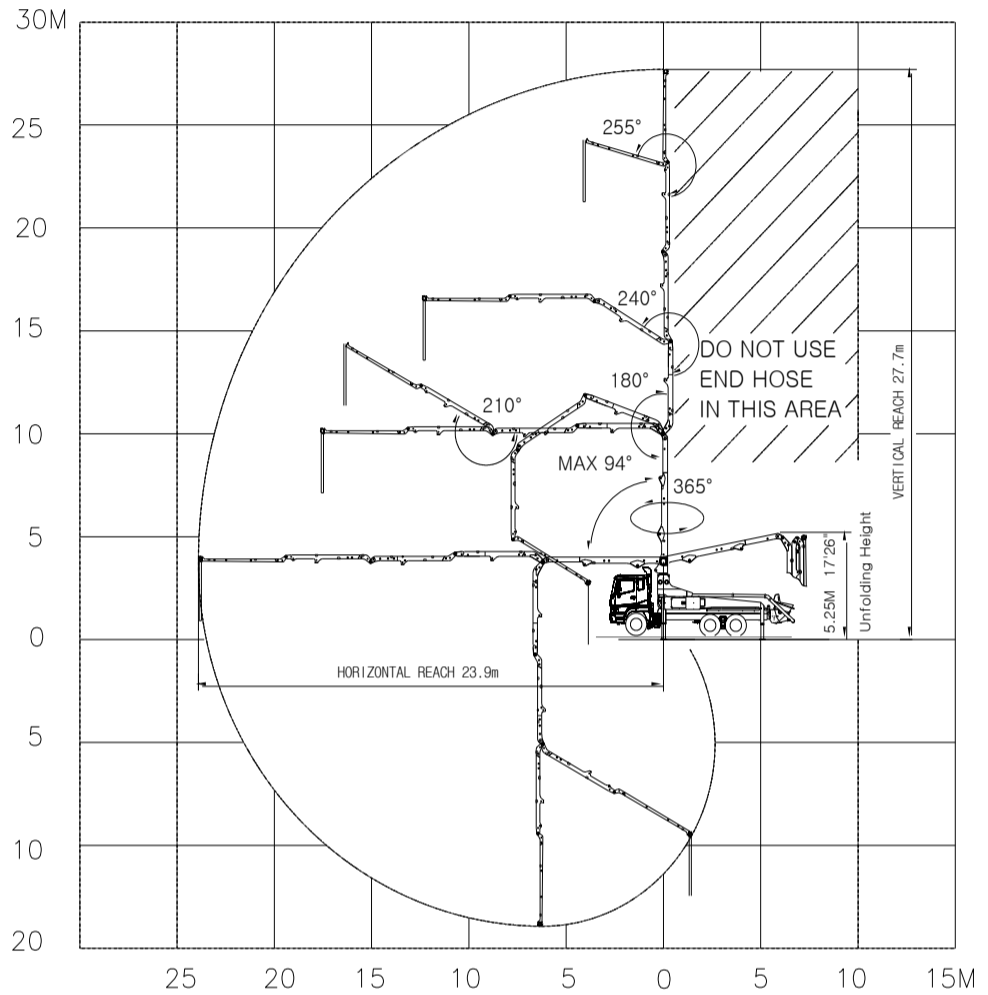


## JXZZ28-5.11HP

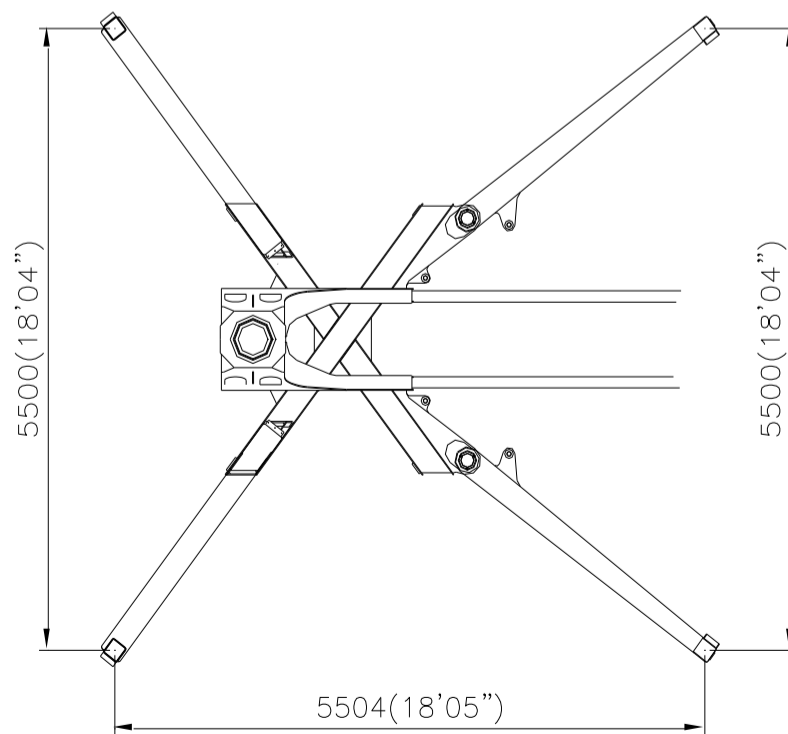
### 28M Truck Mounted Boom Pump with 110 m<sup>3</sup>/h Output ZZ Type Boom Design

### Specifications

**BOOM  
WORKING  
DIAGRAM**



**OUTRIGGER  
SPAN**



\* All technical data are theoretical values and Specification are subject to change without prior notice.  
 \* [www.junj.in.com](http://www.junj.in.com)