

JUNJIN CONCRETE PUMP SERVICE INFORMATION



JSI - EN - 05 - 2B - 001		Date	Feb 1st, 2005
Total Pages	3	Present Page	1
Written by	IL KYU, AN	Approved by	IN JAE, HWANG
Subject	Boom cylinders		

■ Boom hyd. cylinder

The boom pump sucks hyd. oil from the reservoir and supplies oil to each boom cylinder through the boom control valve which gives the direction of the oil flow proportionally. The boom cylinder is extended when the oil is supplied to the piston-side load holding valve, and contracted when supplied to the rod-side.

☛ In case of Z-boom, it works in the reverse direction.

■ Each boom cylinder specification

	M16		M20, M28		M33		M36, M37	
	Part #/Seal #	SIZE(φ)	Part #/Seal #	SIZE(φ)	Part #/Seal #	SIZE(φ)	Part #/Seal #	SIZE(φ)
1	J2071 /J20716	160X110 ST664	J2071 /J20716	160X110 ST664	J6171 /J61716	225X126 ST982	J6171 /J61716	225X120 ST982
2	J2072 /J20726	140X80 ST920	J2072 /J20726	140X80 ST920	J3372 /J33726	180X120 ST1233	H077200C /H07726	200X120 ST1490
3	J1673 /J20736	110X90 ST760	J1673 /J20736	110X90 ST760	J3373 /J33736	140X80 ST1060	H077300C /H07736	160X100 ST1100
4					J3274 /J33746	125X80 ST832.5	H0774 /H07746	125X80 ST1125

	Z37		M40		M42		M43	
	Part #/Seal #	SIZE(φ)	Part #/Seal #	SIZE(φ)	Part #/Seal #	SIZE(φ)	Part #/Seal #	SIZE(φ)
1	J087100A /J08716	225X120 ST982	J087100A /J08716	225X120 ST982	J4271 /J42716	250X150 ST1350	J4371 /J43716	180X120 ST1280
2	H077200C /H07726	200X120 ST1490	J4072 /J40726	225X130 ST1490	J4272 /J42726	225X140 ST1725.5	J4372 /J43726	180X120 ST1650
3	J0873 /J08736	160X90 ST1076	J4073 /J40736	180X100 ST1105	J4273 /J42736	180X120 ST1214	J4373 /J43736	200X120 ST1115
4	J0874 /J08746	125X80 ST1127	J4074 /J40746	125X70 ST1125	H0774 /J42746	125X80 ST1125	J4374 /J43746	160X100 ST1090

JUNJIN CONCRETE PUMP SERVICE INFORMATION

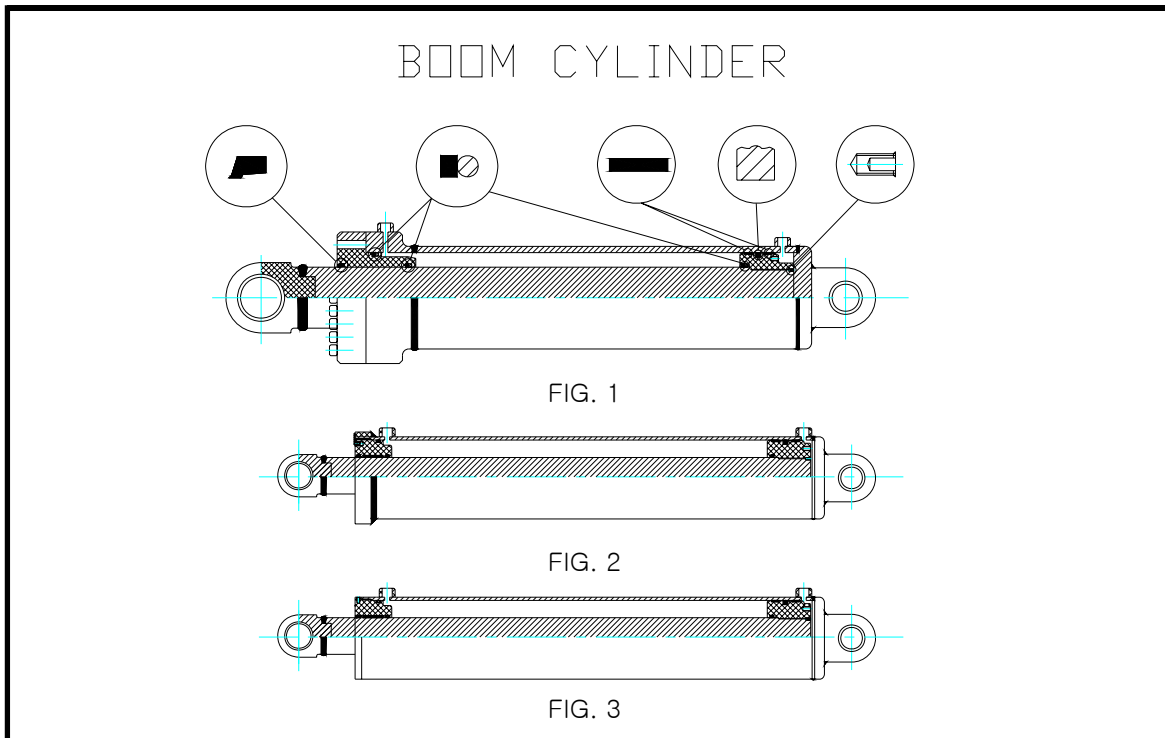


JSI - EN - 05 - 2B - 001		Date	Feb 1st, 2005
Total Pages	3	Present Page	2
Written by	IL KYU, AN	Approved by	IN JAE, HWANG
Subject	Boom cylinders		

Each boom cylinder specification

	M48		M50		M55		SHOTCRETE	
	Part #/Seal #	SIZE(φ)	Part #/Seal #	SIZE(φ)	Part #/Seal #	SIZE(φ)	Part #/Seal #	SIZE(φ)
1	J4871 /J48716	280X160 1285	J4871 /J4871C	280X160 1285	J5571 /J55716	320X180 ST1437	COLUMN S0271 /S02716	110X75 ST680
2	J4872 /J48726	250X150 ST1895	J5072 /J50726	280X160 ST1895	J5572 /J55726	280X180 ST2313	1BOOM S0172 /S01726	125X80 ST1125
3	J4873 /J48736	225X120 ST1368	J5073 /J50736	240X120 ST1413	J5573 /J55736	250X150 ST1913	EXTENSION(1) S0373 /S03736	75X55 ST1600
4	J4874 /J48746	165X100 ST950	J5074 /J50746	180X120 ST1275	J5574 /J55746	180X120 ST1275	EXTENSION(2) S0274 /S02746	55X40 ST1600
5	J487500C /J48756	110X60 ST905	J5075 /J50756	125X80 ST1195	J5575 /J55756	130X80 ST1195	NOZZLE S0279 /S02796	40X25 ST180

Boom cylinder section drawing



JUNJIN CONCRETE PUMP

SERVICE INFORMATION



JSI - EN - 05 - 2B - 001		Date	Feb 1st, 2005
Total Pages	3	Present Page	3
Written by	IL KYU, AN	Approved by	IN JAE, HWANG
Subject	Boom cylinders		

■ Cylinder overhaul(O/H)

- ① Take the cylinder apart from the pump.
- ② In case that the rod cover of cylinder is tightened by bolts
Loosen the bolt and take apart the rod from the cylinder tube.
Replace seals of the piston(rod packing, O-ring, back-up ring)
and seals of the rod cover(dust seal, O-ring, back-up ring).
When disassembly of the piston and rod, the safety bolt has to
be loosen with allen wrench.
- ③ In case that the rod cover is grooved itself for assembly
(The rod cover is fully-inserted to the cylinder tube)
Gas-cut the safety pin tag-welded and take the rod apart from
the cylinder tube using a long bolt to the service hole. Replace
the seals as the same above.
- ④ In case that the rod cover is grooved itself for assembly
(The rod cover is NOT fully-inserted to the cylinder tube)
Remove the rod cover and take apart the rod from the tube.
Replace the seals as the same above.
- ⑤ Caution
When assembly the rod and piston, do not forget the allen bolt
which secure the rod and piston and use the loctite.
Re-install the safety pin on the cylinder.

Caution ① : Be careful the dirty particles not to be assembled together when replace seals.

JUNJIN HEAVY INDUSTRY SERVICE DEPARTMENT 428-1 Doosung-ri Maengdong-Myun Eumsung-Gun Chungbuk, Korea

Tel : (+82)43 877-3023 Fax : (+82)43 882-3023 E-MAIL : AS@JUNJINCONCRETEPUMPS.COM

© COPYRIGHT 2005 JUNJIN HEAVY INDUSTRY CO., LTD. ALL RIGHTS RESERVED