



Ref no. JDP24-001

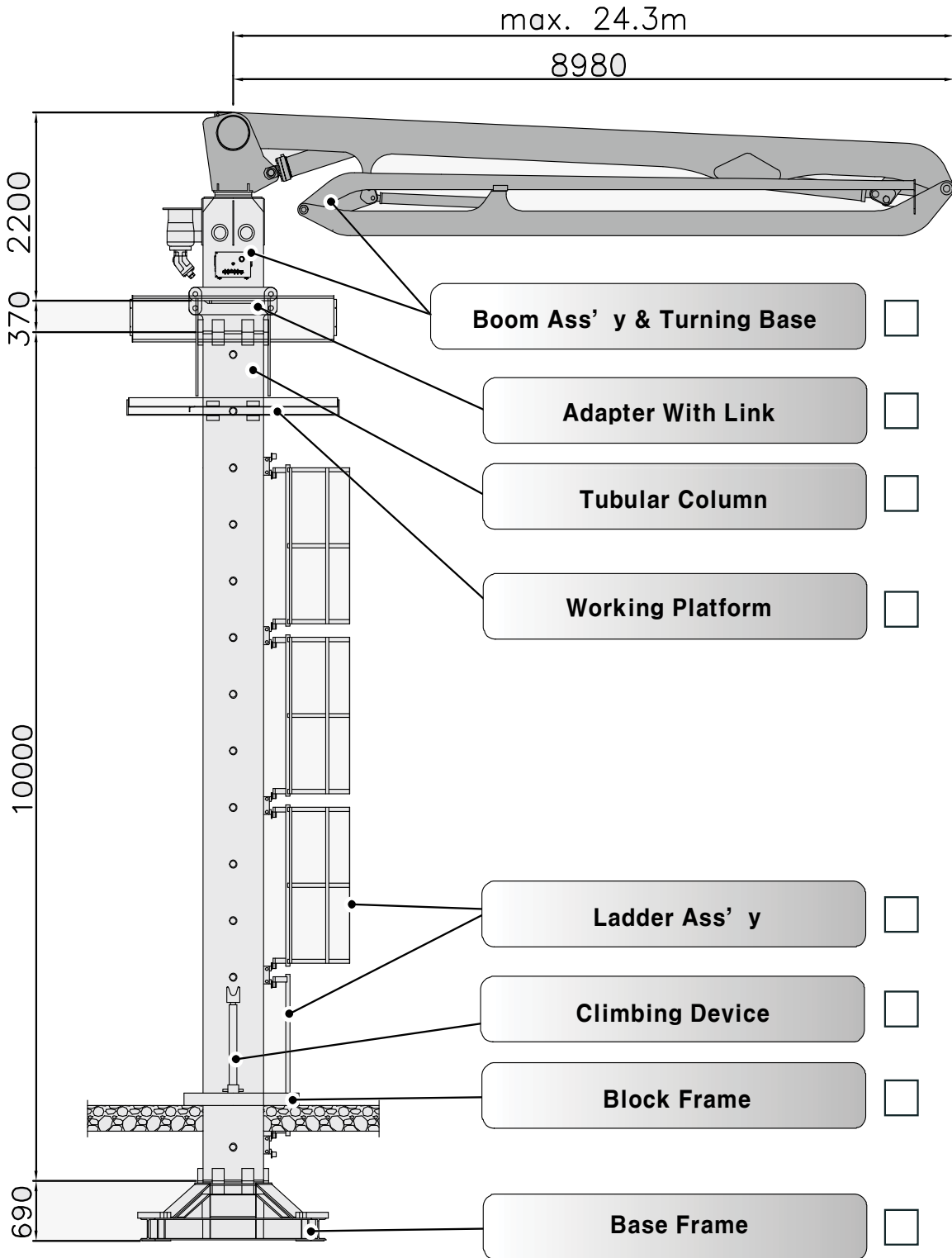
DATA SHEET

PLACING BOOM



JB-M24H

Placing System on Tubular column Type
24M 3 Sections R & Fold designed Boom



* All technical data are theoretical values and Specification are subject to change without prior notice.
 * www.junj.in.com



Ref no. JDP24-001

DATA SHEET

PLACING BOOM



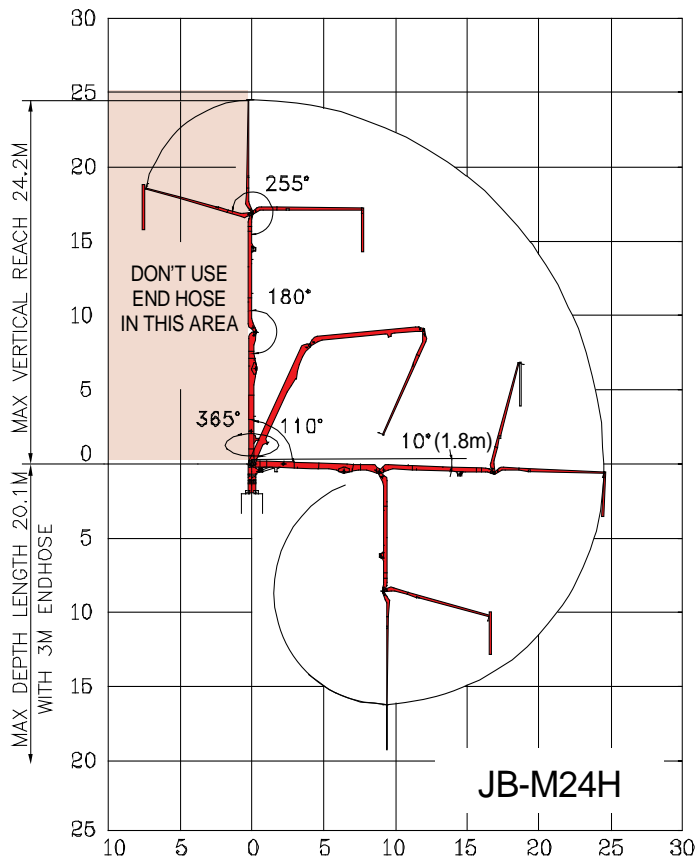
JB-M24H

Placing System on Tubular column Type
24M 3 Sections R & Fold designed Boom

Boom Specification / Technical Specification

Boom Design		R & Fold	Boom Articulation	1st Section	-2° ~ 108°
Horizontal Reach		24.2 m		2nd Section	180°
Vertical Reach		24.2 m		3rd Section	255°
Reach Depth		20.1 m	Rotation		365°
Boom Length	1st Section	8.9 m	Delivery Line		DN 125 mm(5")
	2nd Section	8.0 m	Electric Power		AC380V / 60HZ
	3rd Section	7.3 m	Control Systems		Radio-Cable-Manual
End Hose Length		3.0 m	Electric Motor		15 KW

Working Diagram



* All technical data are theoretical values and Specification are subject to change without prior notice.
* www.junjjin.com



Ref no. JDP24-001

DATA SHEET

PLACING BOOM

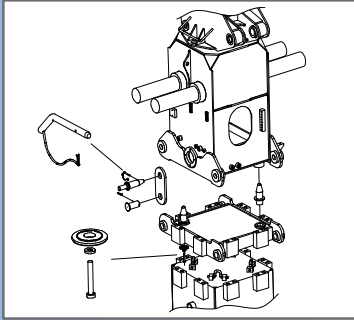


JB-M24H

Placing System on Tubular column Type
24M 3 Sections R & Fold designed Boom

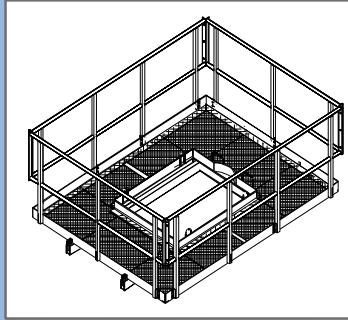
Standard delivery Scope

Turning Base & Adapter



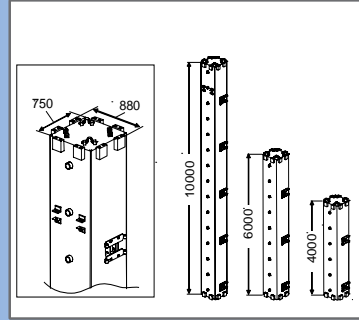
- Turing Base:1Set
- Adapter:1Set

Working Platform



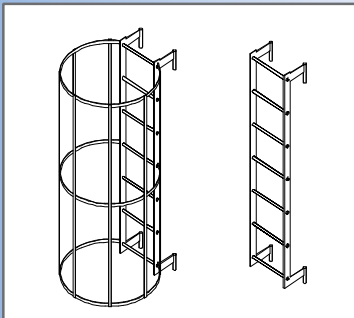
- Safety platform : 1Set

Tubular Column



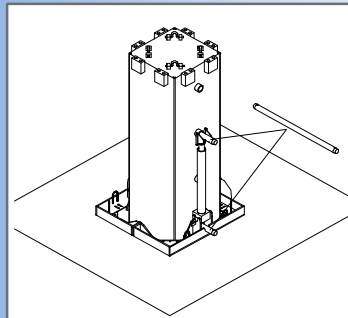
- 10m Tubular Column:2EA
- 4m,6m Tubular Column:options

Ladder



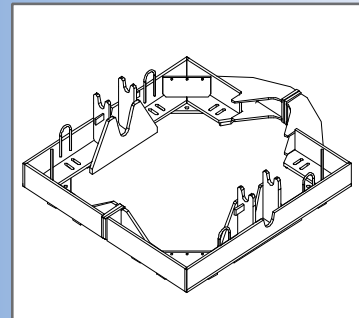
- Ladder with rear protection:3EA
- Ladder without protection:1EA

Climbing Device



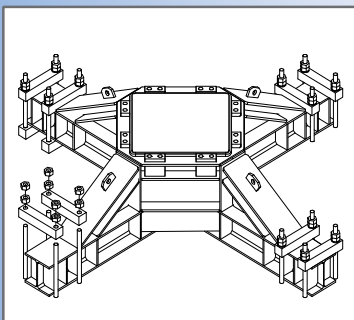
- Climbing Device:1Set

Block Frame



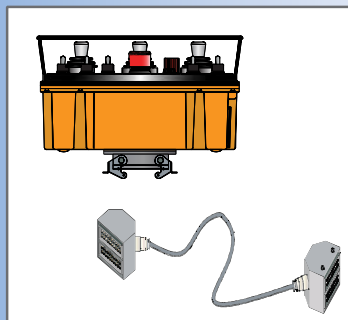
- Block Frame:3EA

Base Frame



- Base Frame:1EA

Remote Control



- Cable Remote Control:1Set

* All technical data are theoretical values and Specification are subject to change without prior notice.
* www.junjjin.com



Ref no. JDP24-001

DATA SHEET

PLACING BOOM



JB-M24H

Placing System on Tubular column Type
24M 3 Sections R & Fold designed Boom

WEIGHT LIST

NO.	NAME	EA/SET	KG/EA	TOTAL KG
1	BOOM ASS'Y	1	3500	3500
2	TURNING COLUMN	1	792	792
3	TURNING BASE ASS'Y	1	1950	1950
4	TUBULAR COLUMN (10m)	2	3360	6720
5	PLATFORM ASS'Y	1		391.8
1)	PLATFORM	1	285	285
2)	SUPPORT FOR PLATFORM	2	19.6	39.2
3)	HANDLE RAIL (1)	2	18.3	36.6
4)	HANDLE RAIL (2)	2	15.5	31
6	LADDER ELEMENT SET	1		239
1)	LADDER (1)	3	44	132
2)	LADDER (2)	1	27	27
3)	LADDER BRACKET	10	8	80
7	BLOCK FRAME	3	335	1005
8	BASE FRAME	1	1420	1420
9	PIN ASS'Y FOR PLACING BOOM	1		45
1)	PIN (1) (LINK)	4	3.5	14
2)	PIN (2) (LINK)	4	4.5	18
3)	PIN (3) (ADAPTER)	2	4.5	9
4)	CLIP (LINK)	4	0.5	2
5)	COVER (ADAPTER)	2	1	2
10	PIN FOR LIFTING CYL	3	45	135
11	PIN FOR LADDER	14	1.5	21
12	LIFTING CYL	2	70	140
13	LINK & ADAPTER	1		330
1)	ADAPTER FOR MAST	1	254	254
2)	LINK	8	9.5	76
				16,689

* All technical data are theoretical values and Specification are subject to change without prior notice.
* www.junj.in.com