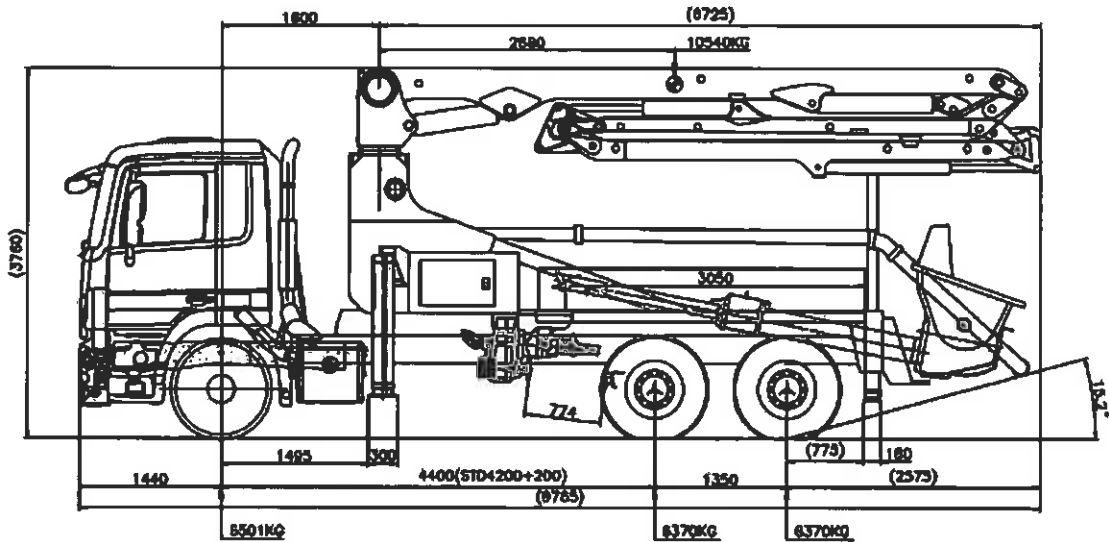
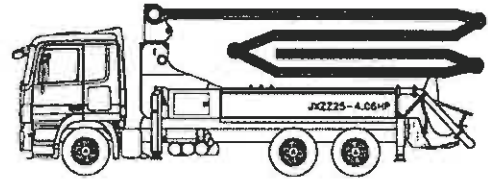


DATA SHEET
TRUCK MOUNTED BOOM PUMP



JXZ(Z)25-4.06HP

25M Truck Mounted Boom Pump
with 60m³/h Output & Z Boom Design

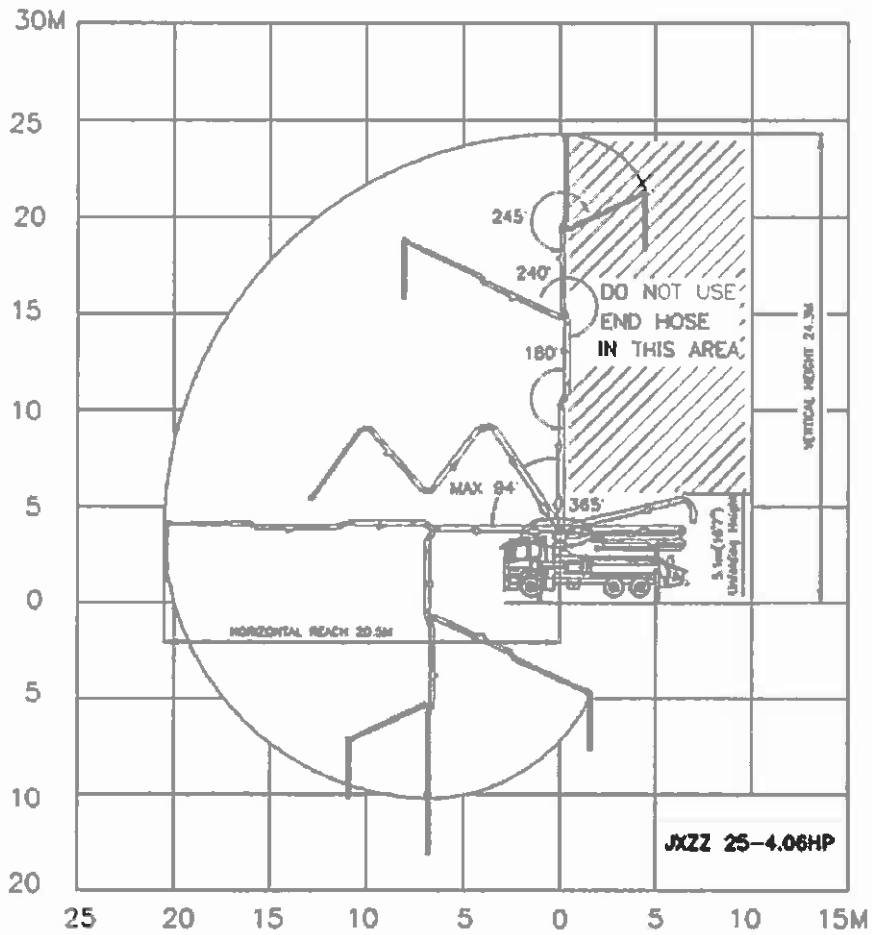


Remark: Standard specification with MB 2641. Dimension depends on truck specification.

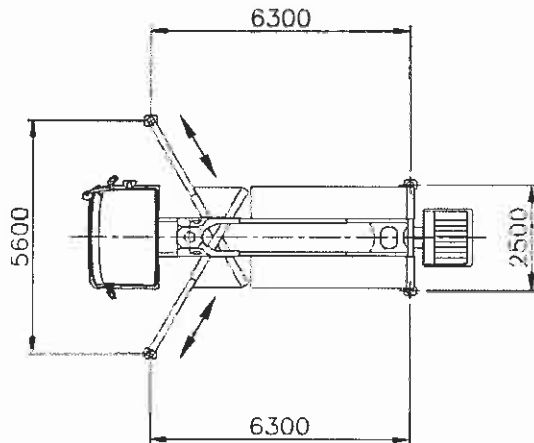
TECHNICAL SPECIFICATION

General Specification		Pump Specification		Boom Specification		
Delivery Line	DN 125 / 5"	Output	Rod	60 m ³ /h	Number of Booms	4 Sections
Radio Remote	Proportional Control		Piston	36 m ³ /h	Folding Type	Z Fold (Z&Z)
Wear Plate / Ring	Tungsten Carbide	Pressure	Rod	65 Bar	Vertical Height	24.3 m
Water Pump	20 Bar		Piston	108 Bar	Horizontal Reach	20.5 m
Water Tank	500 Liter	Delivery Cylinder (Hard-chromed)	ø180 mm		Unfolding Height	5.1 m
Auto Lubrication	Hyd. greaser, Hopper	Stroke Length	1200 mm		End-Hose Length	3.0 m
		S-Valve	7" x 5"		1st Section	6.5 m
		Main Oil Pump	Rexroth Hydromatik		2nd Section	4.6 m
		System Pressure	350 Bar		3rd Section	4.6 m
		Switching Type	Hydraulic		4th Section	4.8 m
		Hopper Capacity	450 Liter			

■ BOOM WORKING DIAGRAM



■ OUTRIGGER SPAN



JUNJIN HEAVY INDUSTRY CO. LTD 33 OSEONRI GEUMWANGUEUP EUMSEONGGUN CHUNGBUK, KOREA WWW.JUNJIN.COM

JUNJIN RESERVES THE RIGHT TO MAKE TECHNICAL AMENDMENTS.