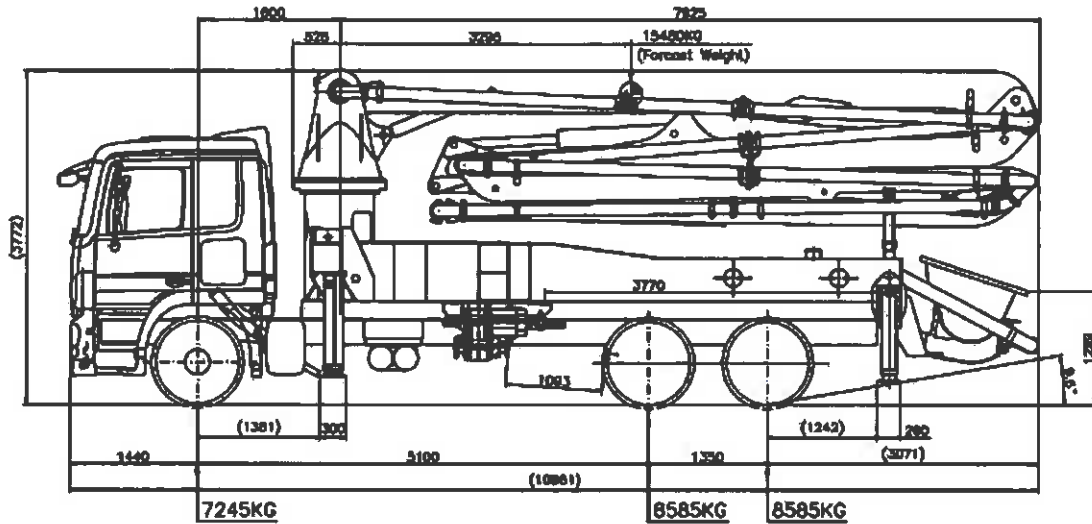
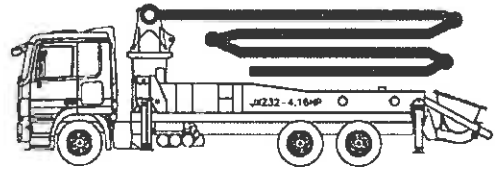


JXZ32-4.16HP

32M Truck Mounted Boom Pump
with 160m³/h Output & Z Boom Design

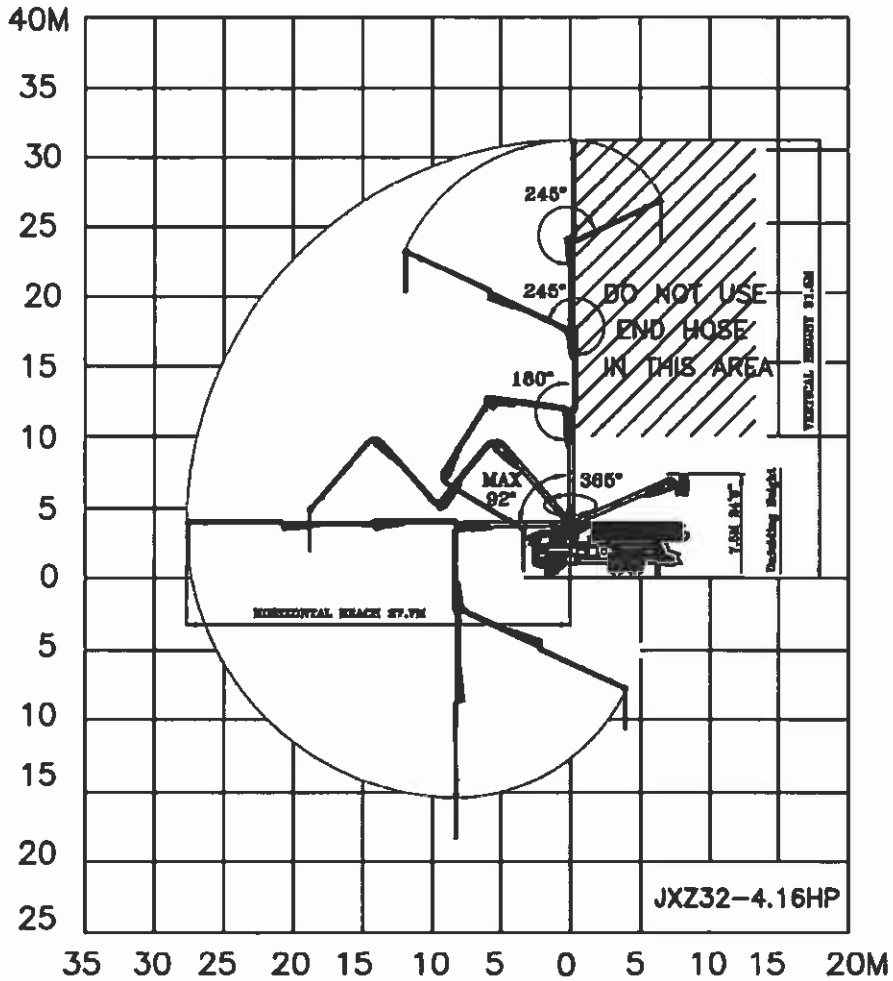


Remark: Standard specification with MB 2641. Dimension depends on truck specification.

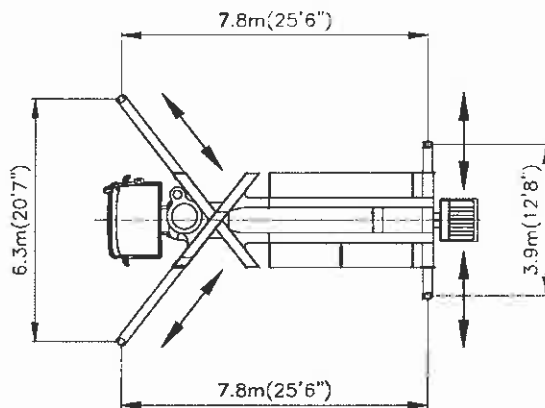
TECHNICAL SPECIFICATION

General Specification		Pump Specification		Boom Specification		
Delivery Line	DN 125 / 5"	Output	Rod	158 m ³ /h	Number of Booms	4 Sections
Radio Remote	Proportional Control		Piston	98 m ³ /h	Folding Type	Z Fold
Wear Plate / Ring	Tungsten Carbide	Pressure	Rod	70 Bar	Vertical Height	32.5 m
Water Pump	20 Bar		Piston	112 Bar	Horizontal Reach	28.5 m
Water Tank	600 Liter	Delivery Cylinder (Hard-chromed)	ø230 mm		Unfolding Height	7.6 m
Auto Lubrication	Hyd. greaser, Hopper	Stroke Length	2100 mm		End-Hose Length	3.0 m
		S-Valve	8" x 7"		1st Section	8.0 m
		Main Oil Pump	Rexroth Hydromatik		2nd Section	6.9 m
		System Pressure	350 Bar		3rd Section	6.8 m
		Switching Type	Hydraulic		4th Section	6.8 m
		Hopper Capacity	600 Liter			

■ BOOM WORKING DIAGRAM



■ OUTRIGGER SPAN



JUNJIN HEAVY INDUSTRY CO. LTD 33 OSEONRI GEUMWANGU EUMSEONGGUN CHUNGBUK, KOREA WWW.JUNJIN.COM

JUNJIN RESERVES THE RIGHT TO MAKE TECHNICAL AMENDMENTS.

이 문서는 한글과컴퓨터 뷰어 2007로 인쇄한 문서입니다.
한글과컴퓨터 오피스 2007 정품을 구매하시면 보다 향상된 기능을 지원 받을 수 있습니다. (www.haarsoft.com)