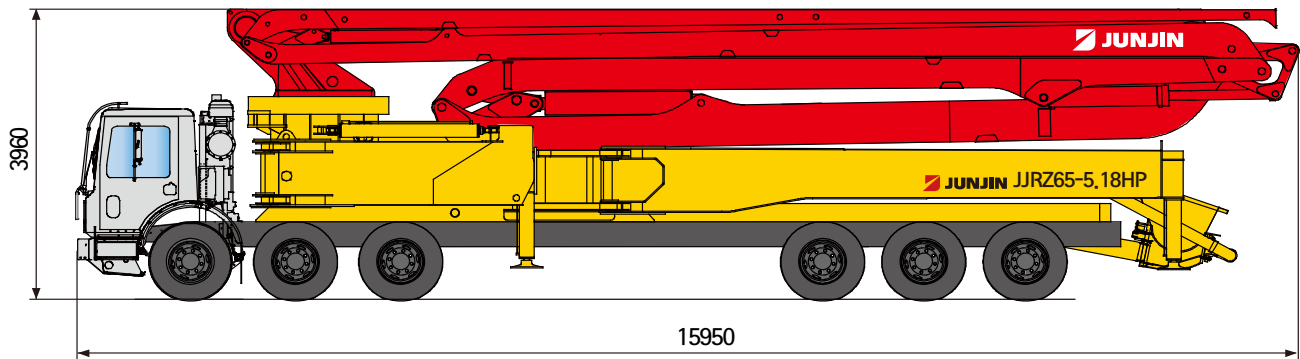


JJRZ65-5.18HP

DATA SHEET TRUCK MOUNTED BOOM PUMP



65M Truck Mounted Boom Pump | with 177 m³/h Output & Roll-Z Type Boom Design



* Remark : Standard specification with MACK. Dimension depends on truck specification.

TECHNICAL SPECIFICATION

GENERAL SPECIFICATION		PUMP SPECIFICATION			BOOM SPECIFICATION	
Delivery Line	DN 125 / 5"	Output	Rod	177 m ³ /h	Number of booms	5 Sections
Radio remote	Proportional control		Piston	120 m ³ /h	Folding Type	R & Z TYPE
Wear plate / Ring	Tungsten Carbide	Pressure	Rod	87 Bar	Vertical Height	64.3 m
Water Pump	20 Bar		Piston	130 Bar	Horizontal Reach	59.28 m
Water Tank	800 Liter	Delivery Cylinder (Hard-chromed)	Φ230 mm		Unfolding height	16.8 m
Auto Lubrication	Hyd. grease, Hopper	Stroke Length	2100 mm		End-Hose Length	4.0 m
		S - Valve	8" X 7"		1st Section	12.66 m
		No. of Stroke (L)	34 N/min		2nd Section	10.12 m
		System Pressure	350 Bar		3rd Section	10.69 m
		Switching Type	Hydraulic		4th Section	13.22 m
		Hopper Capacity	600 Liter		5th Section	13.62 m

* All technical data are theoretical values and Specification are subject to change without prior notice.
* www.junj.in.com

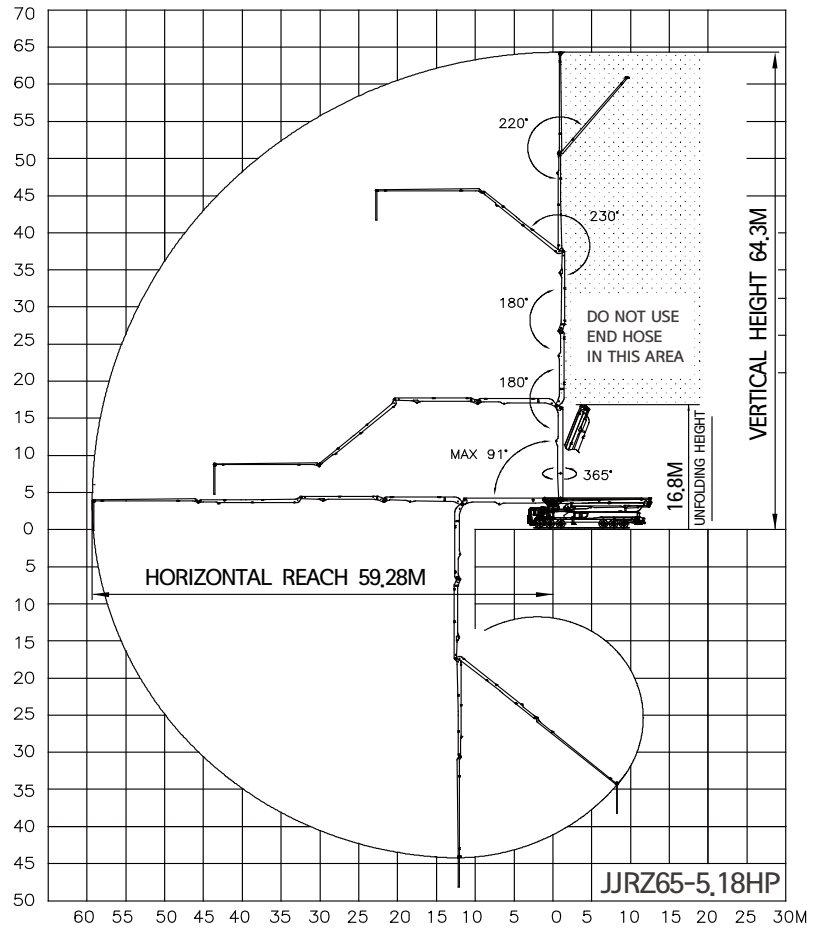
JJRZ65-5.18HP

DATA SHEET TRUCK MOUNTED BOOM PUMP

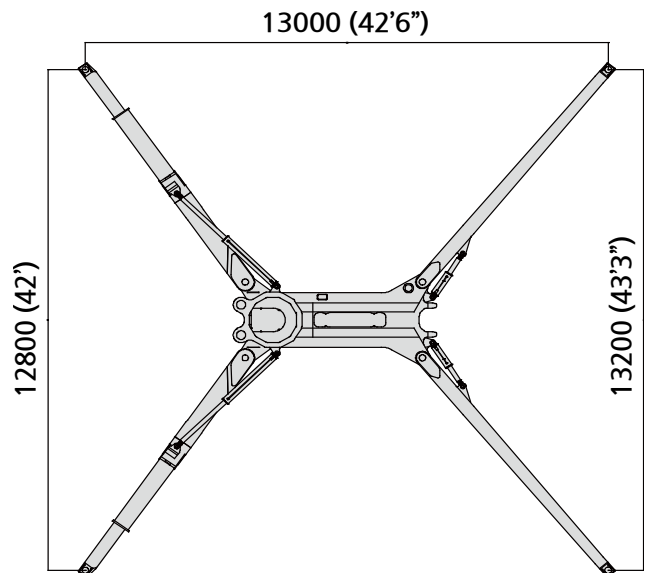


65M Truck Mounted Boom Pump | with 177m³/h Output & Roll-Z Type Boom Design

BOOM WORKING DIAGRAM



OUTRIGGER SPAN



* All technical data are theoretical values and Specification are subject to change without prior notice.
 * www.junjin.com