

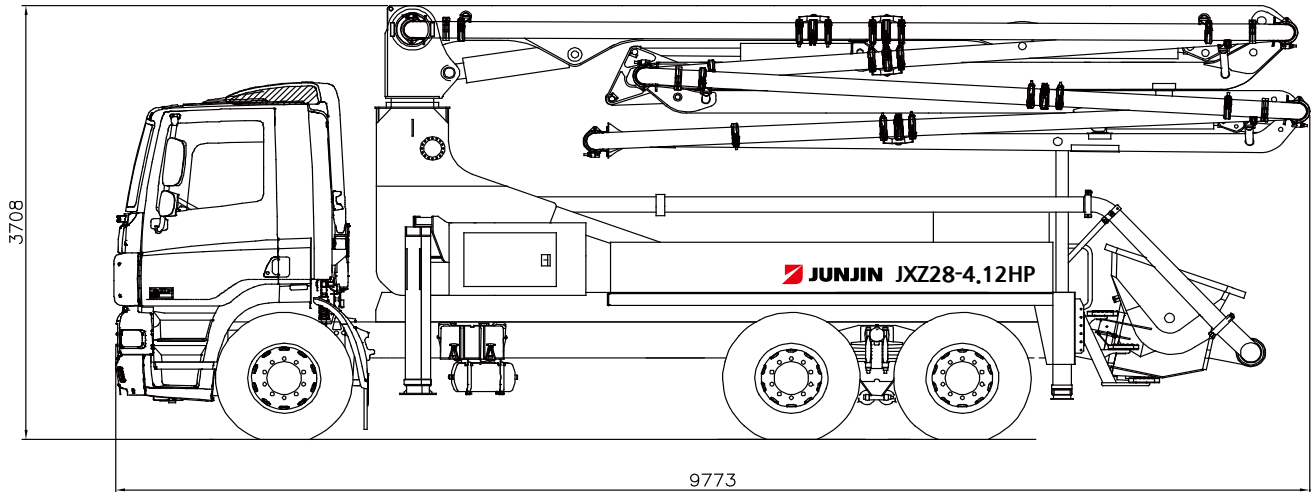
JXZ28-4.12HP

DATA SHEET

TRUCK MOUNTED BOOM PUMP



28M Truck Mounted Boom Pump with 120m³/h Output Z Type Boom Design



* Remark : Standard specification with DAF CF75. Dimension depends on truck specification.

TECHNICAL SPECIFICATION

| GENERAL SPECIFICATION | | PUMP SPECIFICATION | | | BOOM SPECIFICATION | |
|-----------------------|----------------------|----------------------------------|---------------------|-----------------------|--------------------|------------|
| Delivery Line | DN 125 / 5" | Output | Rod | 122 m ³ /h | Number of booms | 4 Sections |
| Radio remote | Proportional control | | Piston | 87 m ³ /h | Folding Type | Z TYPE |
| Wear plate / Ring | Tungsten Carbide | Pressure | Rod | 84 Bar | Vertical Height | 27.6 m |
| Water Pump | 20 Bar | | Piston | 118 Bar | Horizontal Reach | 23.8 m |
| Water Tank | 470 Liter | Delivery Cylinder (Hard-chromed) | φ 230 mm | | Unfolding height | 6.4 m |
| Auto Lubrication | Hyd. grease, Hopper | Stroke Length | 1700 mm | | End-Hose Length | 3.0 m |
| | | S - Valve | 8" X 7" | | 1st Section | 7.2 m |
| | | Main Oil Pump | Kawasaki Hydromatic | | 2nd Section | 5.2 m |
| | | System Pressure | 370 Bar | | 3rd Section | 5.4 m |
| | | Switching Type | Hydraulic | | 4th Section | 6.0 m |
| | | Hopper Capacity | 600 Liter | | | |

* All technical data are theoretical values and Specification are subject to change without prior notice.
* www.junjin.com

JXZ28-4.12HP

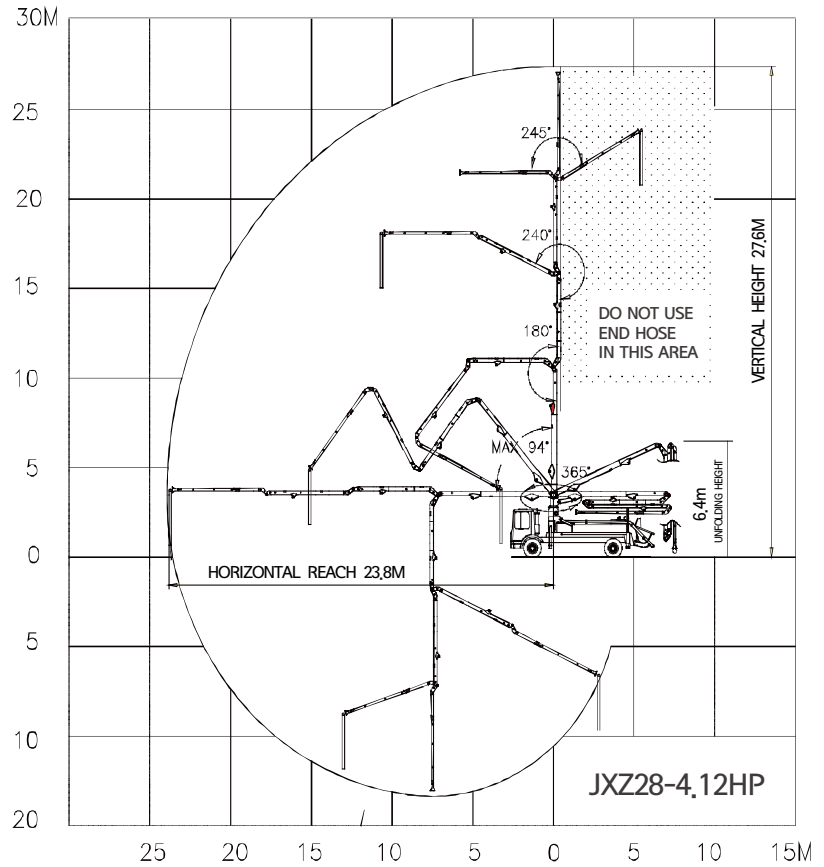
DATA SHEET

TRUCK MOUNTED BOOM PUMP

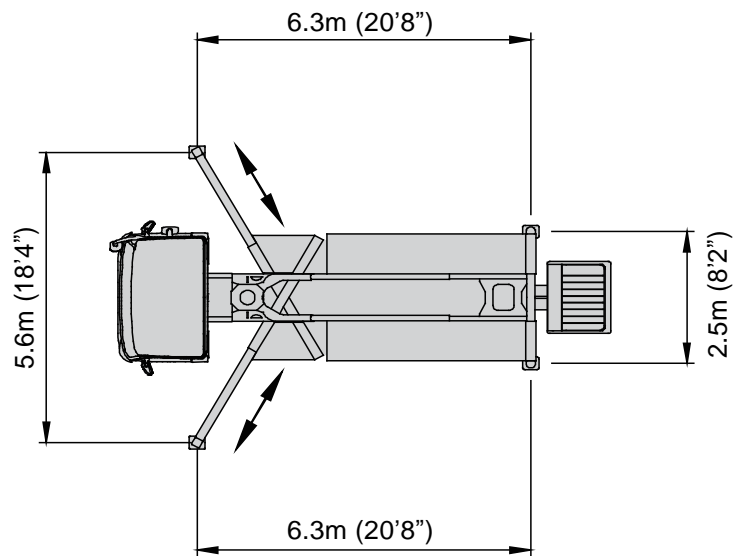


28M Truck Mounted Boom Pump with 120m³/h Output Z Type Boom Design

BOOM WORKING DIAGRAM



OUTRIGGER SPAN



* All technical data are theoretical values and Specification are subject to change without prior notice.
* www.junjin.com