



Ref no. JDL90-001

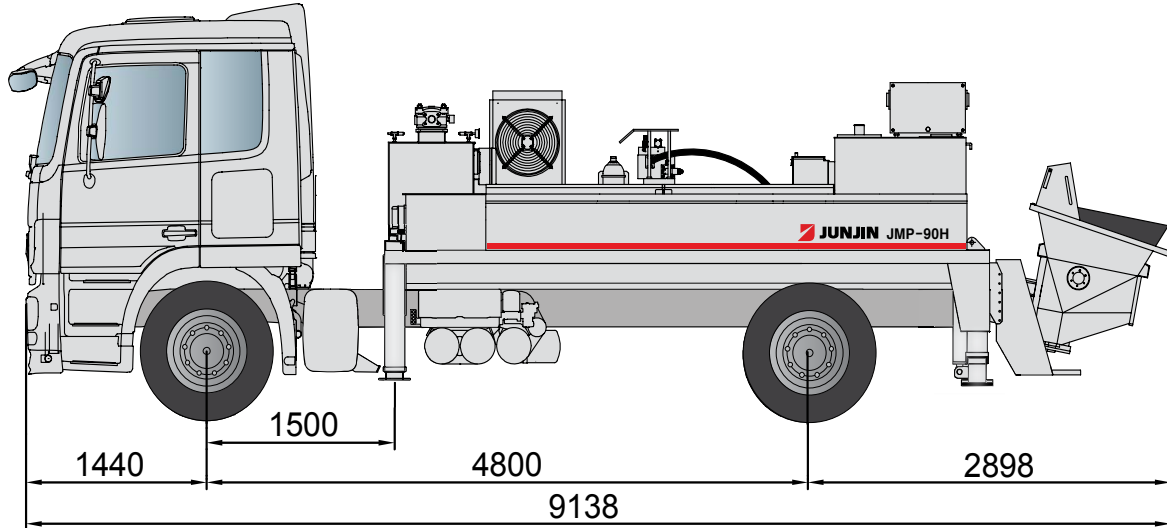
DATA SHEET

TRUCK MOUNTED LINE PUMP



JMP-90H

Line pump Output up to 90 m³/h
Delivery pressure up to 106 bar

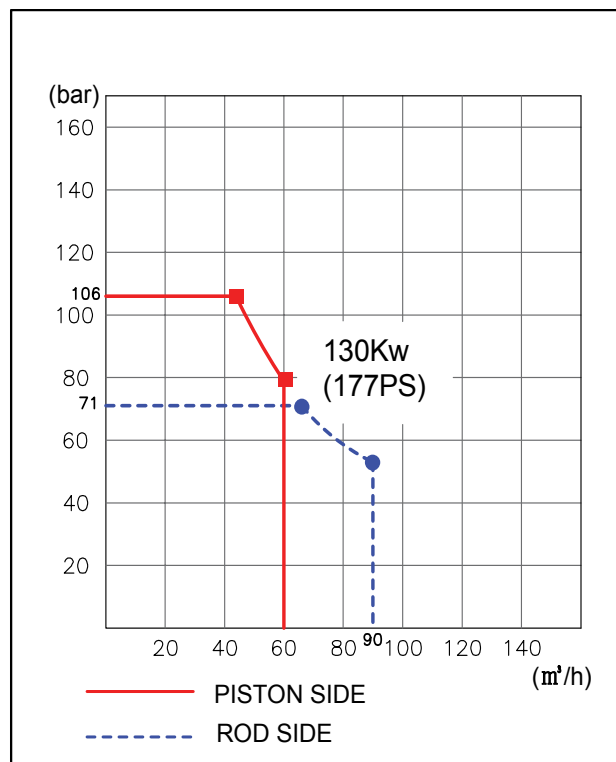


Remark : Standard version with MB1832. Dimension depends on equipment.

Technical Specification

Rod Side	Output	90 m ³ /h
	Pressure	71 bar
	Number of Stroke	34 N
Piston Side	Output	60 m ³ /h
	Pressure	106 bar
	Number of Stroke	23 N
Delivery Cylinder	Φ200	
Delivery Cylinder Stroke	1400 mm	
S - Valve	S2018 (8" x 7")	
Hopper Capacity	600 ℓ	
Main Oil Pump	Rexroth Hydromatik	
System Pressure	350 bar	
Switching Type	Hydraulic	
Outtrigger	Hyd. Vertical Extension	

Performance Diagram



* All technical data are theoretical values and Specification are subject to change without prior notice.
* www.junjin.com