

# DATA SHEET

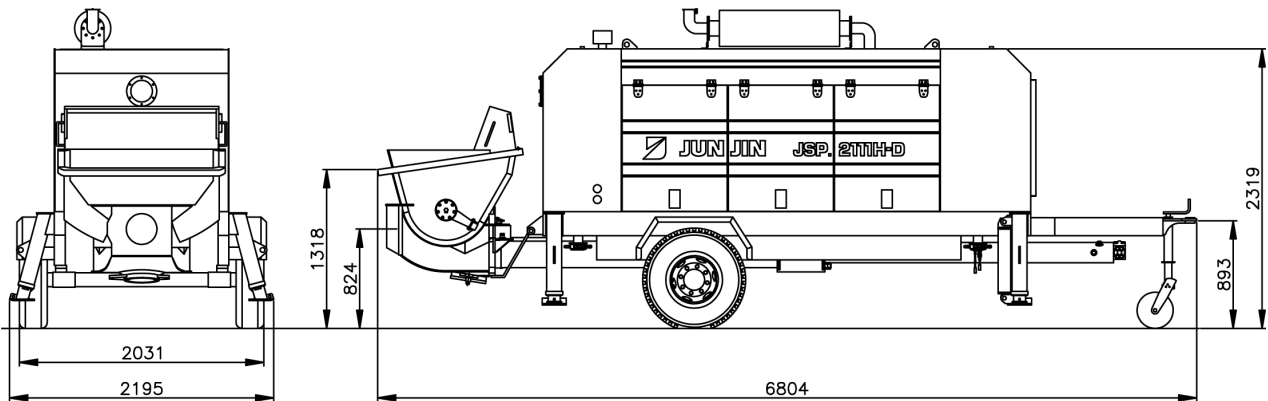
## STATIONARY PUMP



# JSP.2111H-D

Output up to 107m<sup>3</sup>/h

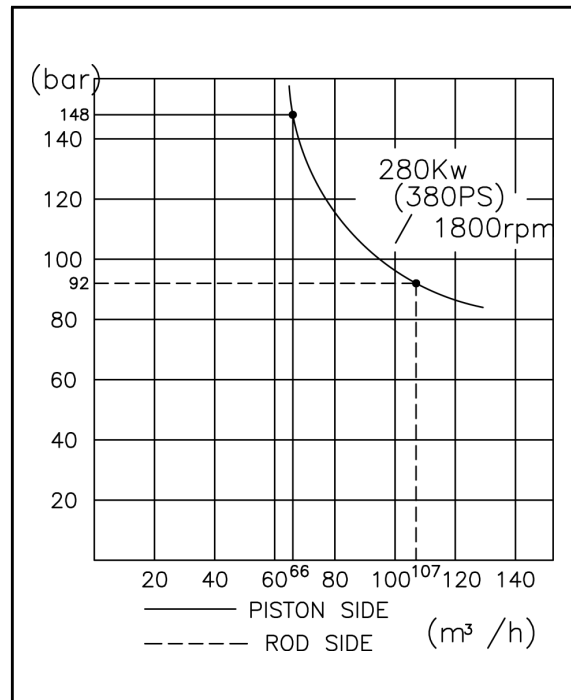
Delivery pressure up to 148 bar



Remark : Dimensions depend on equipment.

## ■ Technical Specification / Performance Diagram

Rod Side	Output	107 m <sup>3</sup> /h
	Pressure	92 bar
	Number of Stroke	27 N
Piston Side	Output	66 m <sup>3</sup> /h
	Pressure	148 bar
	Number of Stroke	17 N
Delivery Cylinder(∅)		200 mm
Stroke Length		2100 mm
Outrigger	front	Hyd. Vertical Ext.
	rear	Manual Vertical Ext.
System Pressure		350 bar
S - Valve		S2018(8"x7")
Hopper Capacity		600 ℓ
Engine Power		400PS / 294Kw
Weight		7,700 Kg



- Rod side connection is applied as standard.
- Not available to change connections to piston side.
- All technical data are theoretical values.
- Junjin reserves the right to make technical amendments without prior notice.

# DATA SHEET

STATIONARY PUMP



## ■ Delivery Line Wear Parts List

### - HEAT TREATMENT PIPE

PARTS NO.	DESCRIPTION	SPECIFICATION	LIST PRICE(USD)
G5____P00	CONCRETE PIPE	~ 500	\$66.00
		501 ~ 1000	\$118.80
		1001 ~ 1500	\$171.50
		1501 ~ 2000	\$221.00
		2001 ~ 2500	\$277.30
		2501 ~ 3000	\$315.30
		3001 ~ 3500	\$379.50

### - ELBOW, COUPLING & RUBBER RING

PARTS NO.	DESCRIPTION	SPECIFICATION	LIST PRICE(USD)
RB3659000	ELBOW	90 degree X 5"	\$50.20
RB3654500	ELBOW	45 degree X 5"	\$31.10
RB3653000	ELBOW	30 degree X 5"	\$23.80
RB50004N0	COUPLING	5"	\$30.90
RB5003800	RUBBER RING	5"	\$2.90