

JUNJIN CONCRETE PUMP SERVICE INFORMATION

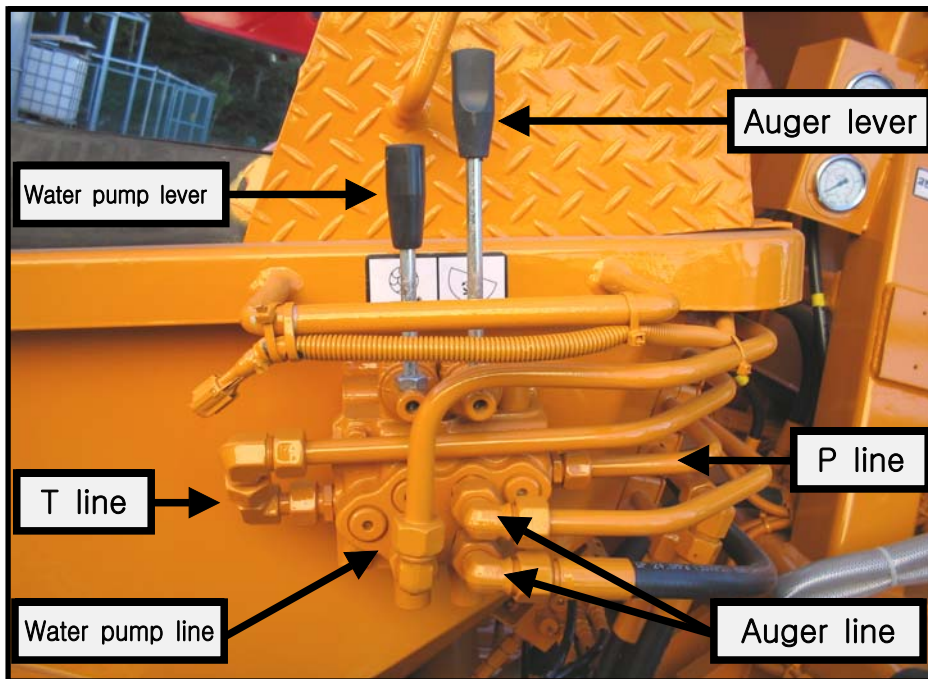


JSI - EN - 05 - 8A - 001		Date	Feb 1st, 2005
Total Pages	3	Present Page	1
Written by	IL KYU, AN	Approved by	IN JAE, HWANG
Subject	Water pump		

■ Water pump

Engaging P.T.O one of gear pump supplies hyd. oil to the water pump through the control valve. The water pump can be operated by pulling the lever.(This lever can not be pushed : one way control)

■ Each component of agitator control block



■ Pressure setting

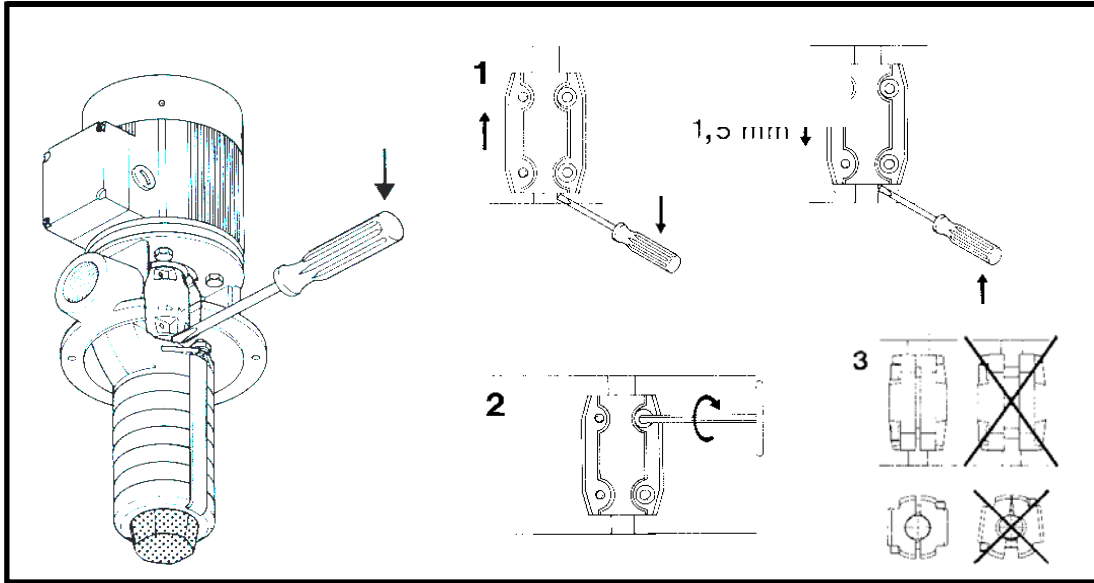
- Both water pump and auger are set at 200 Bar max.
- An orifice($\varnothing 1.8$) is installed in the water pump line for proper water pressure for cleaning.

JUNJIN CONCRETE PUMP SERVICE INFORMATION

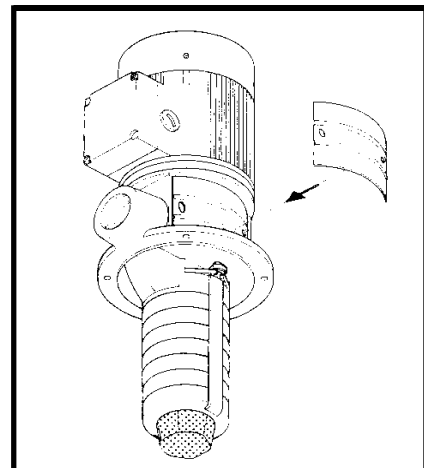
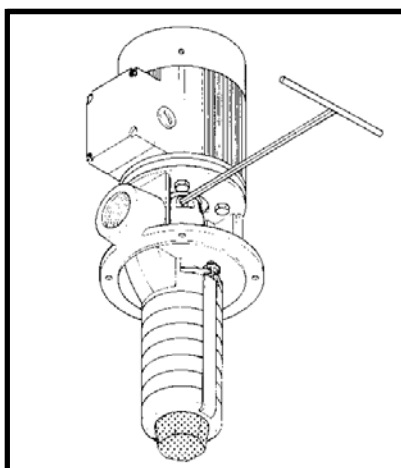


JSI - EN - 05 - 8A - 001		Date	Feb 1st, 2005
Total Pages	3	Present Page	2
Written by	IL KYU, AN	Approved by	IN JAE, HWANG
Subject	Water pump		

■ Assembling water pump



- ① Lift the coupling about 2~3MM with screw driver when assembling.
- ② Secure the coupling for the time being.
- ③ Locate the shaft in the middle of coupling, then secure bolts.



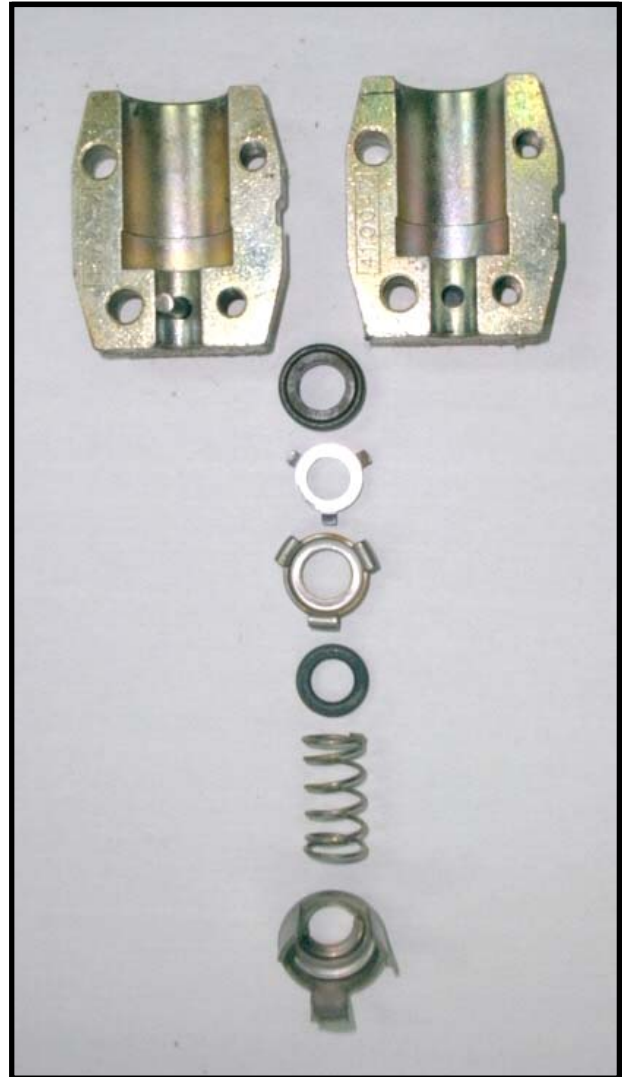
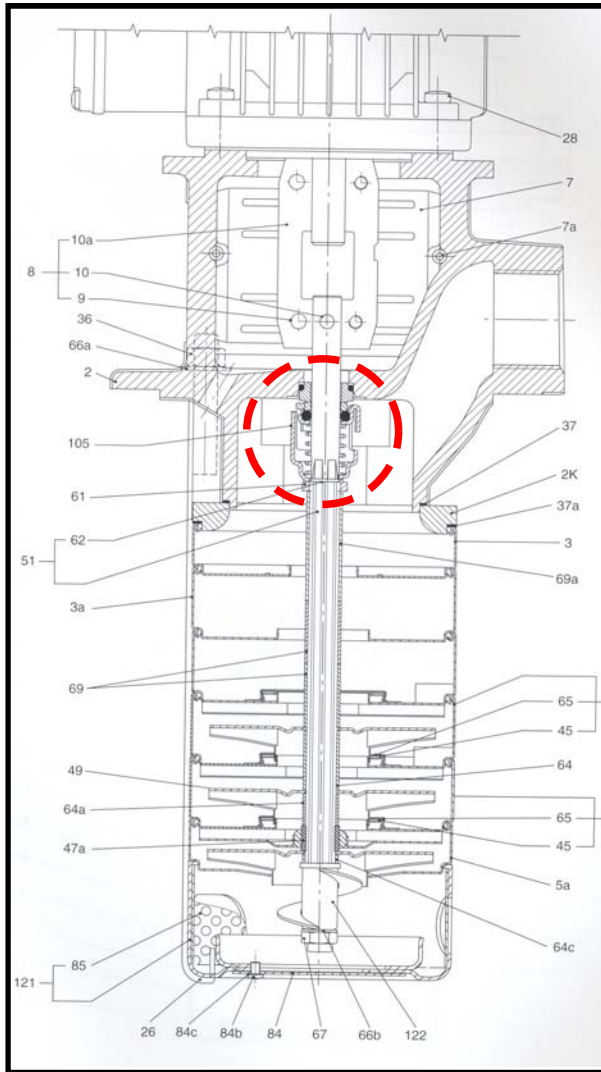
- ④ Assemble the cover.

JUNJIN CONCRETE PUMP SERVICE INFORMATION



JSI - EN - 05 - 8A - 001		Date	Feb 1st, 2005
Total Pages	3	Present Page	3
Written by	IL KYU, AN	Approved by	IN JAE, HWANG
Subject	Water pump		

■ Water pump section drawing and coupling O/H



- Caution ① : Do not run the water pump without water, it might cause failure.
- Caution ② : Do not run the water pump with frozen water.
- Caution ③ : The motor of water pump always turns anti-clockwise.
- Caution ④ : The water pump should be run to fill the water box with water over M42.