

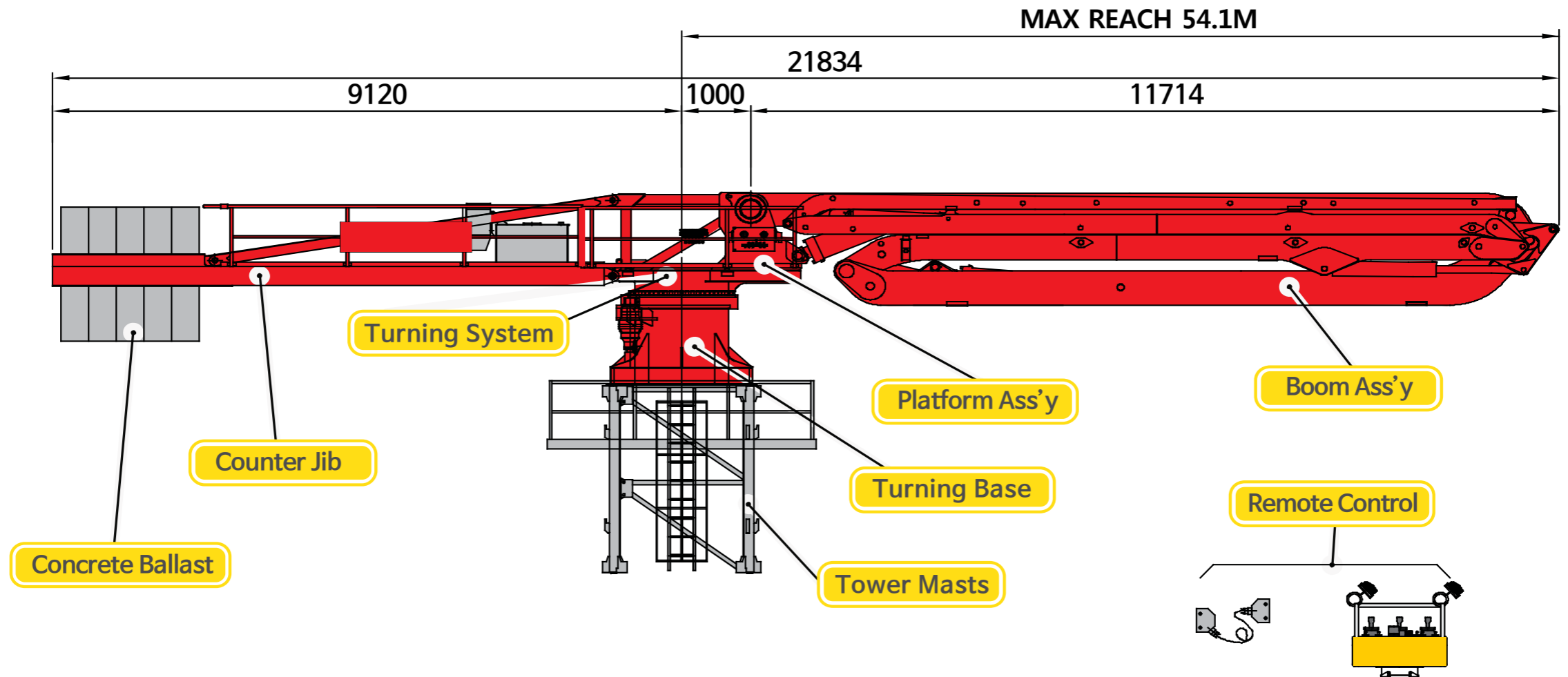
Ref no. T55H

# DATA SHEET JB-T55H

PLACING BOOM



Placing System on Tower Mast 55M 5 Sections ROLL-Z Designed Boom



\* All technical data are theoretical values and Specification are subject to change without prior notice.  
\* [www.junj.in](http://www.junj.in)

Ref no.

# DATA SHEET **JB-T55H**

PLACING BOOM

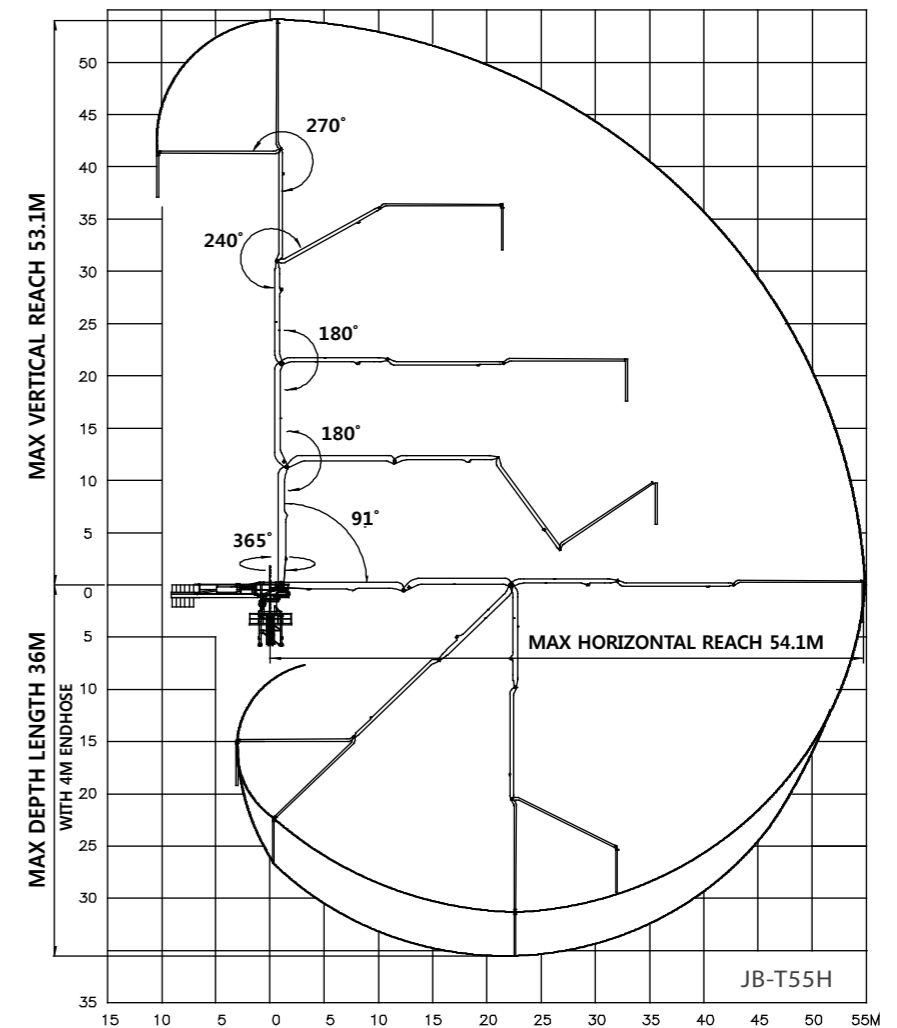


## Placing System on Tower Mast 55M 5 Sections ROLL-Z Designed Boom

### Boom Specification / Technical Specification

SPECIFICATION			SPECIFICATION		
Boom Design	5 Sections ROLL-Z TYPE		Boom Articulation	1st Section	91°
Horizontal Reach	54.1m			2nd Section	180°
Vertical Reach	53.1m			3rd Section	180°
Reach Depth	36m			4th Section	240°
Boom Length	1st Section	11.4m		5th Section	270°
	2nd Section	10m	Rotation	365°	
	3rd Section	9.9m	Delivery Line	DN 125mm(5")	
	4th Section	10.8m	Electric System	AC380V / 60Hz	
	5th Section	11m	Control Systems	Radio-Cable-Manual	
End Hose Length	4.0m		Electric Motor	22KW	

### WORKING DIAGRAM



\* All technical data are theoretical values and Specification are subject to change without prior notice.

\* [www.junj.in.com](http://www.junj.in.com)

Ref no.

# DATA SHEET **JB-T55H**

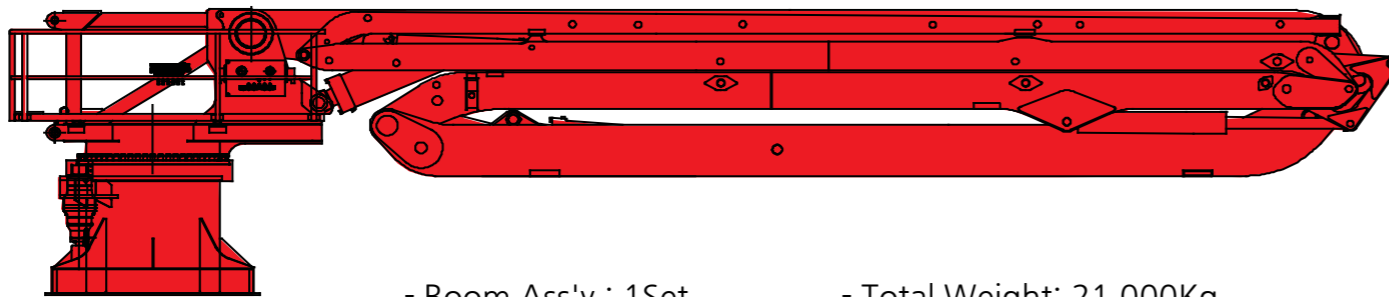
PLACING BOOM



## Placing System on Tower Mast 55M 5 Sections ROLL-Z Designed Boom

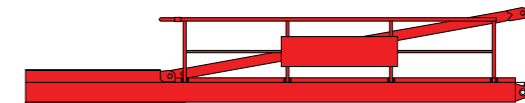
### Standard delivery Scope

#### ▷ Boom ass'y



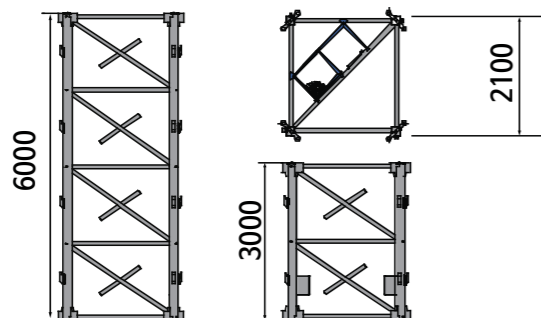
- Boom Ass'y : 1Set      - Total Weight: 21,000Kg

#### ▷ Counter Jib



- Counter Jib : 1 Set  
- Total Weight : 3,150 kg

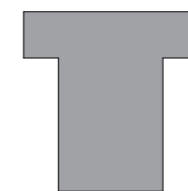
#### ▷ Mast (Option)



- 3m Mast Total Weight  
: 3 EA / 5,400kg (1,800kg \* 3 EA)

- 6m Mast Total Weight  
: 2 EA / 6,800kg (3,400kg \* 2 EA)

#### ▷ Concrete Ballast



- Concrete Ballast : 5 EA  
- Total Weight : 15,000 kg (3000 kg\*5)

\* All technical data are theoretical values and Specification are subject to change without prior notice.

\* [www.junj.in.com](http://www.junj.in.com)