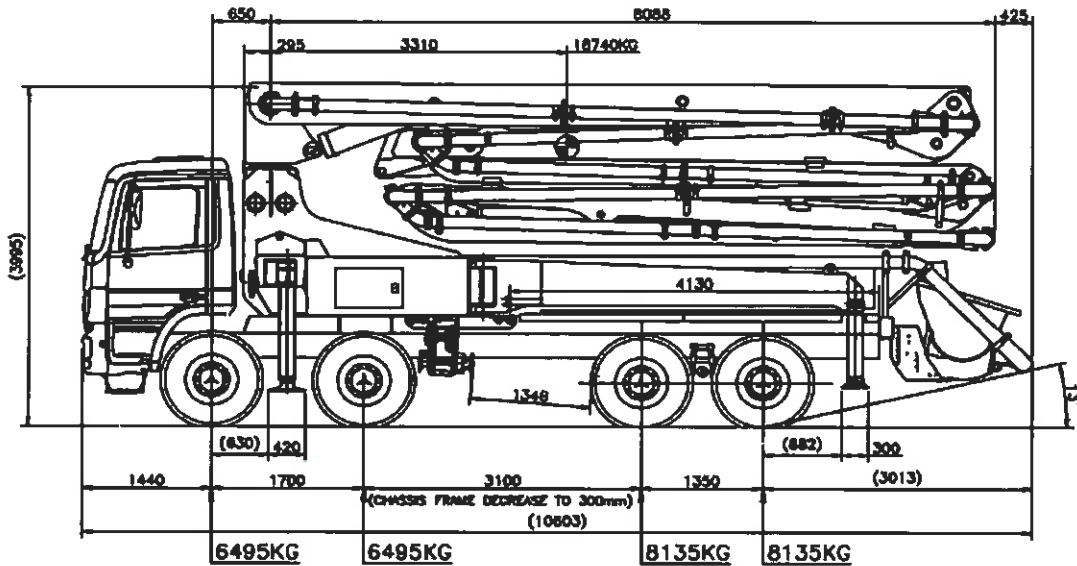
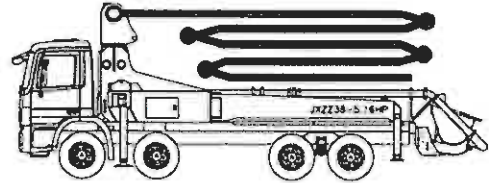


# JXZZ38-5.16HP

38M Truck Mounted Boom Pump  
with 160m<sup>3</sup>/h Output & Full Z Boom Design

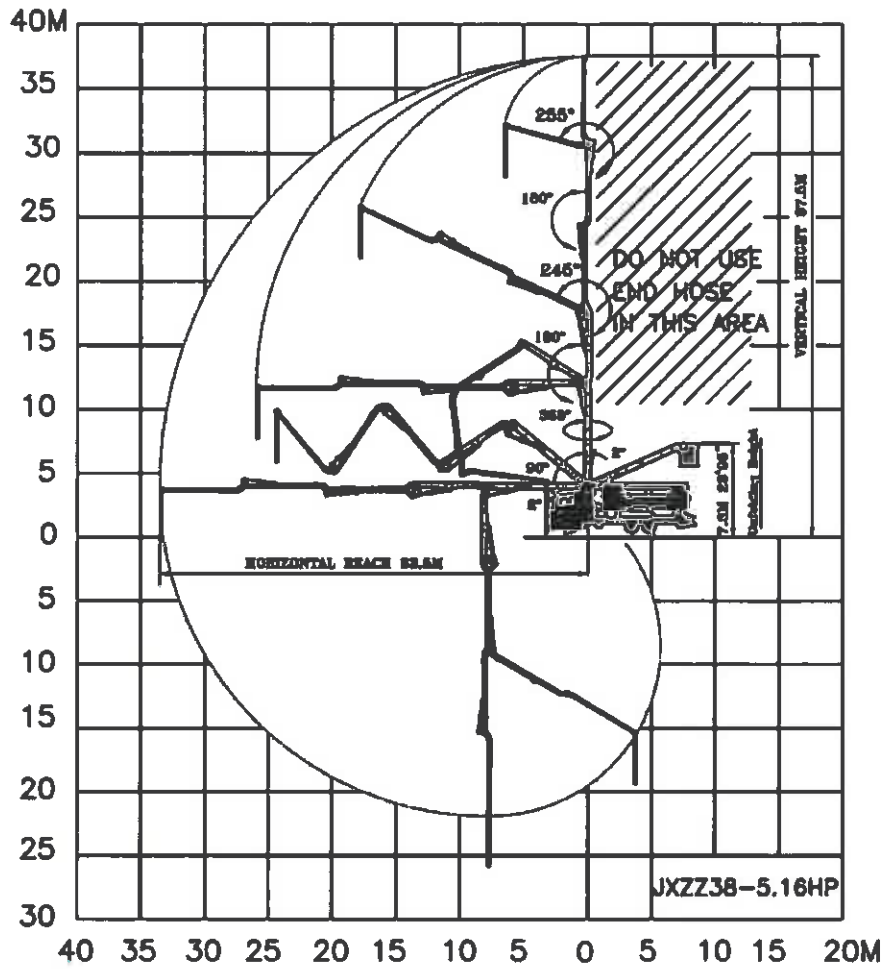


Remark: Standard specification with MB 4141. Dimension depends on truck specification.

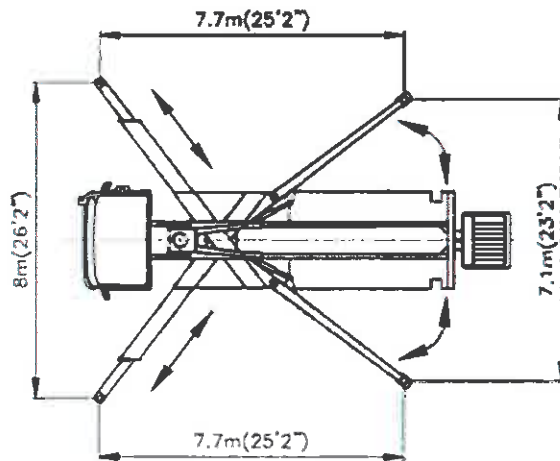
## TECHNICAL SPECIFICATION

General Specification		Pump Specification		Boom Specification		
Delivery Line	DN 125 / 5"	Output	Rod	158 m <sup>3</sup> /h	Number of Booms	5 Sections
Radio Remote	Proportional Control		Piston	98 m <sup>3</sup> /h	Folding Type	Z Fold
Wear Plate / Ring	Tungsten Carbide	Pressure	Rod	70 Bar	Vertical Height	37.5 m
Water Pump	20 Bar		Piston	112 Bar	Horizontal Reach	33.5 m
Water Tank	600 Liter	Delivery Cylinder (Hard-chromed)	∅230 mm		Unfolding Height	7.5 m
Auto Lubrication	Hyd. greaser, Hopper	Stroke Length	2100 mm		End-Hose Length	3.0 m
		S-Valve	8" x 7"		1st Section	7.8 m
		Main Oil Pump	Rexroth Hydromatik		2nd Section	6.1 m
		System Pressure	350 Bar		3rd Section	6.3 m
		Switching Type	Hydraulic		4th Section	6.6 m
		Hopper Capacity	600 Liter		5th Section	6.7 m

## BOOM WORKING DIAGRAM



## OUTRIGGER SPAN



JUNJIN HEAVY INDUSTRY CO. LTD 33 OSEONRI GEUMWANGUUP EUMSEONGGUN CHUNGBUK, KOREA WWW.JUNJIN.COM

JUNJIN RESERVES THE RIGHT TO MAKE TECHNICAL AMENDMENTS.

이 문서는 한글과컴퓨터 뷰어 2007로 인쇄한 문서입니다.  
한글과컴퓨터 오피스 2007 정품을 구매하시면 보다 향상된 기능을 지원 받을 수 있습니다. (www.haansoft.com)