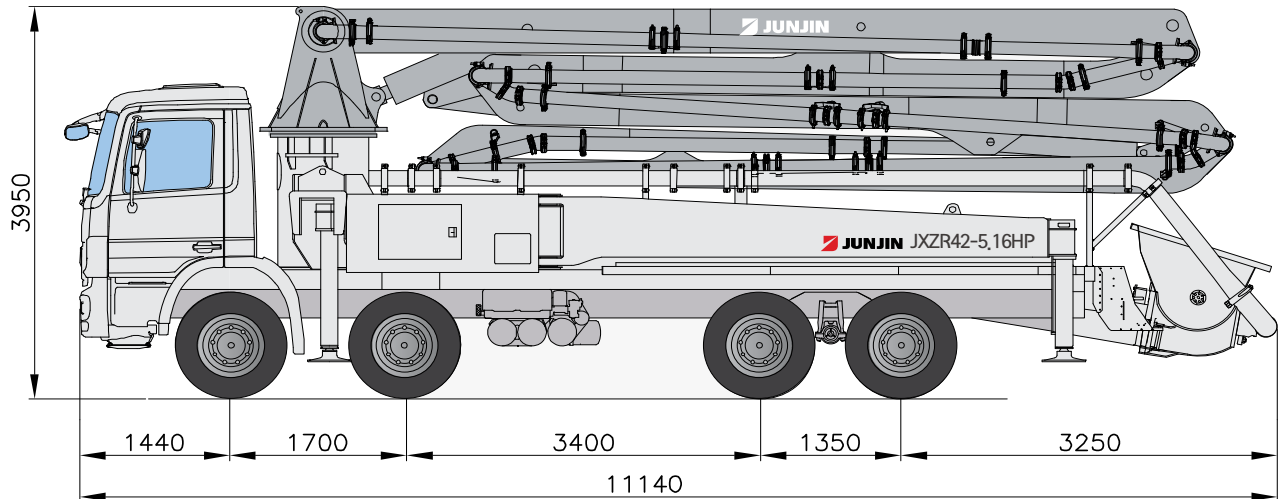


JXZR42-5.16HP

DATA SHEET TRUCK MOUNTED BOOM PUMP



42M Truck Mounted Boom Pump with 158m³/h Output & ZR Type Boom Design



* Remark : Standard specification with MB4141. Dimension depends on truck specification.

TECHNICAL SPECIFICATION

GENERAL SPECIFICATION		PUMP SPECIFICATION			BOOM SPECIFICATION	
Delivery Line	DN 125 / 5"	Output	Rod	158 m ³ /h	Number of booms	5 Sections
Radio remote	Proportional control		Piston	98 m ³ /h	Folding Type	Z & R
Wear plate / Ring	Tungsten Carbide	Pressure	Rod	72 Bar	Vertical Height	41.7 m
Water Pump	20 Bar		Piston	115 Bar	Horizontal Reach	37.7 m
Water Tank	500 Liter	Delivery Cylinder (Hard-chromed)	Φ230 mm		Unfolding height	8 m
Auto Lubrication	Hyd. grease, Hopper	Stroke Length	2100 mm		End-Hose Length	4.0 m
		S-Valve	S2018		1st Section	8.3 m
		System Pressure	350 Bar		2nd Section	6.8 m
		Switching Type	Hydraulic		3rd Section	7.2 m
		Hopper Capacity	600 Liter		4th Section	7.7 m
					5th Section	7.7 m

* All technical data are theoretical values and Specification are subject to change without prior notice.
 * www.junjin.com

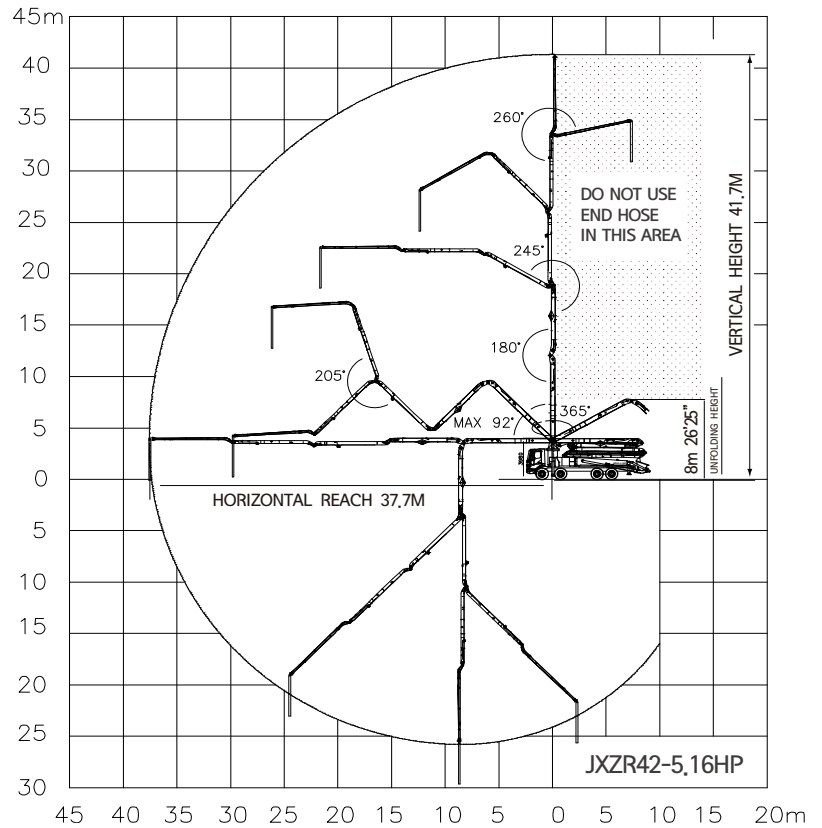
JXZR42-5.16HP

DATA SHEET TRUCK MOUNTED BOOM PUMP

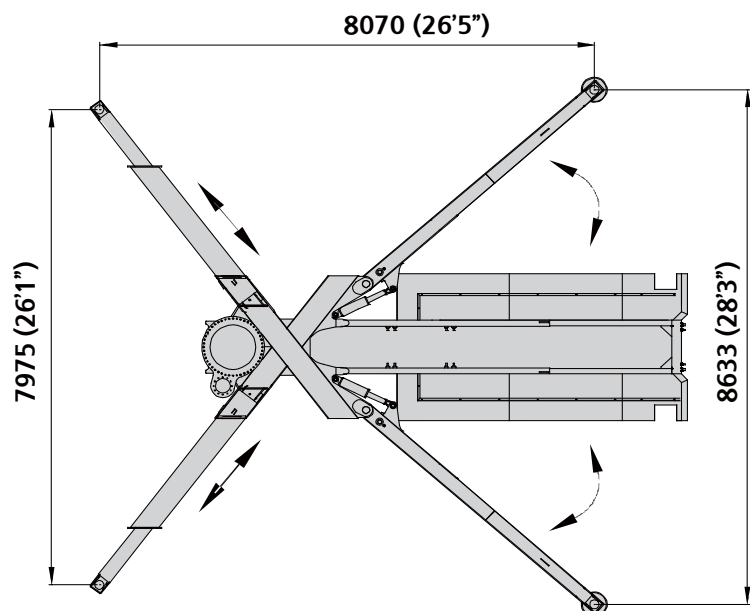


42M Truck Mounted Boom Pump with 158m³/h Output & ZR Type Boom Design

BOOM WORKING DIAGRAM



OUTRIGGER SPAN



* All technical data are theoretical values and Specification are subject to change without prior notice.
* www.junjin.com