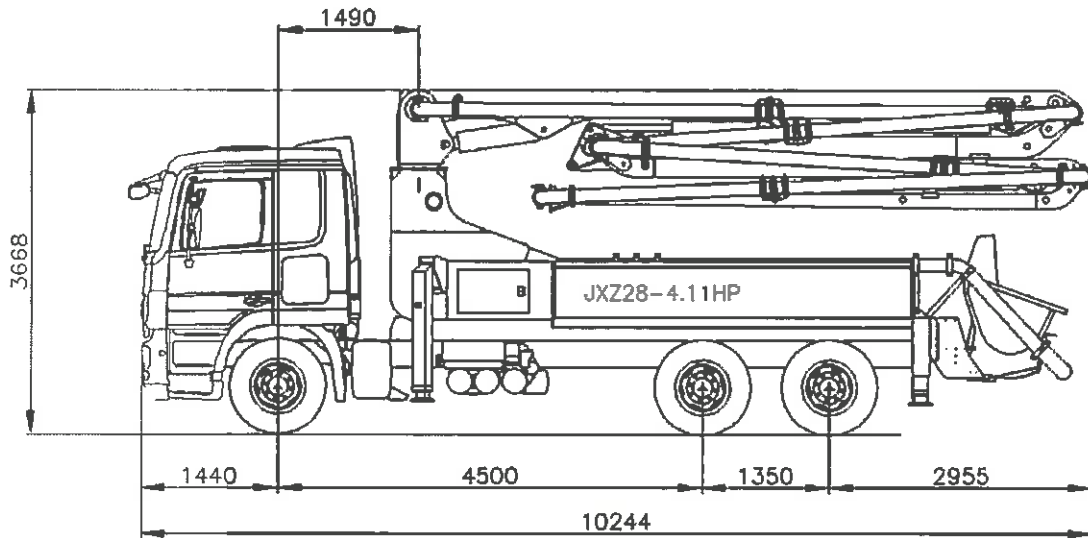
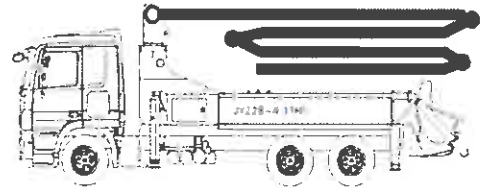


**DATA SHEET**  
TRUCK MOUNTED BOOM PUMP



# JXZ28-4.11HP

**28M Truck Mounted Boom Pump  
with 110m<sup>3</sup>/h Output & Z Boom Design**

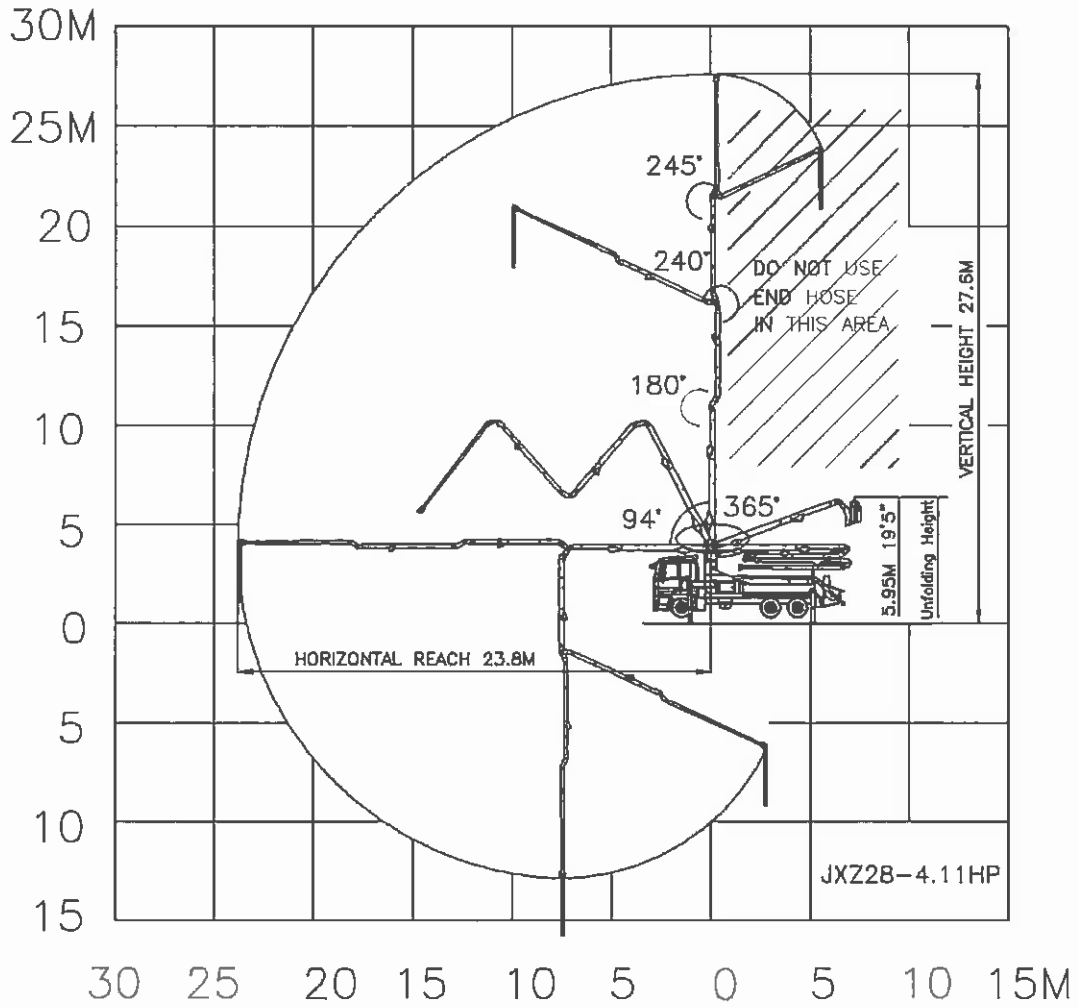


Remark: Standard specification with MB 2641. Dimension depends on truck specification.

## ■ TECHNICAL SPECIFICATION

General Specification		Pump Specification		Boom Specification		
Delivery Line	DN 125 / 5"	Output	Rod	109 m <sup>3</sup> /h	Number of Booms	4 Sections
Radio Remote	Proportional Control		Piston	73 m <sup>3</sup> /h	Folding Type	Z Fold
Wear Plate / Ring	Tungsten Carbide	Pressure	Rod	54 Bar	Vertical Height	27.6 m
Water Pump	20 Bar		Piston	80 Bar	Horizontal Reach	23.8 m
Water Tank	500 Liter	Delivery Cylinder (Hard-chromed)	∅230 mm		Unfolding Height	5.9 m
Auto Lubrication	Hyd. greaser, Hopper	Stroke Length	1400 mm		End-Hose Length	3.0 m
		S-Valve	8" x 7"		1st Section	7.2 m
		Main Oil Pump	Rexroth Hydromatik		2nd Section	5.2 m
		System Pressure	350 Bar		3rd Section	5.4 m
		Switching Type	Hydraulic		4th Section	6.0 m
		Hopper Capacity	600 Liter			

## ■ BOOM WORKING DIAGRAM



## ■ OUTRIGGER SPAN

